

# Brio® X Y Adjustable 2D hinges

**Brio Australia**  
 P: +61 2 87186718  
 W: [brio.com.au](http://brio.com.au)  
 E: [brio.sales@allegion.com](mailto:brio.sales@allegion.com)

**Brio UK**  
 P: +44 191 2291224  
 W: [briouk.com](http://briouk.com)  
 E: [brio.sales.uk@allegion.com](mailto:brio.sales.uk@allegion.com)

**Brio USA**  
 P: +1 585 3195599  
 W: [briousa.com](http://briousa.com)  
 E: [brio.sales.usa@allegion.com](mailto:brio.sales.usa@allegion.com)

## Codes

**BW 9 A - 50 H PBK** — Finish: PBK (Alloy Powder Coat Black), PWT (Alloy Powder Coat White), SN (Alloy Satin Nickel), PR (Physical Vapour Deposition Black), SS (Satin Stainless)

Hinge Type: Non-Mortise Hinge  
 Load Capacity: 50kg (110lbs) and 100kg (220lbs) Panels  
 Application: A (Aluminium System), T (Wood System)  
 Set No.: 9 (Adjustable Hinge Set)

## Brio Hinge Set

## Sets No finishes shown.

Alu Panels  
 50 & 100kg  
 BW9A-50H  
 BW9A-100H



M5x20 Torx x27  
 M5 Cage nut x27

Wood Panels  
 50 & 100kg  
 BW9T-50H  
 BW9T-100H



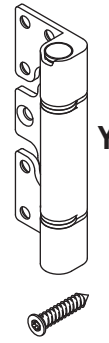
No. 12Gx32 Torx  
 Wood screw x27

Additional hinge  
 Alu door  
 BWA231  
 BWA211



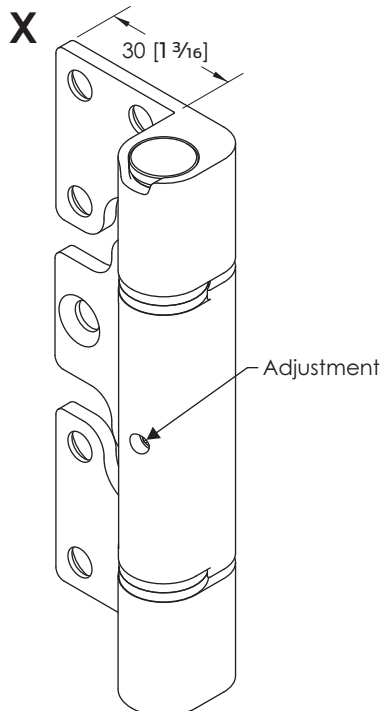
M5x20 Torx x9  
 M5 Cage nut x9

Additional hinge  
 Wood door  
 BWT231  
 BWT211

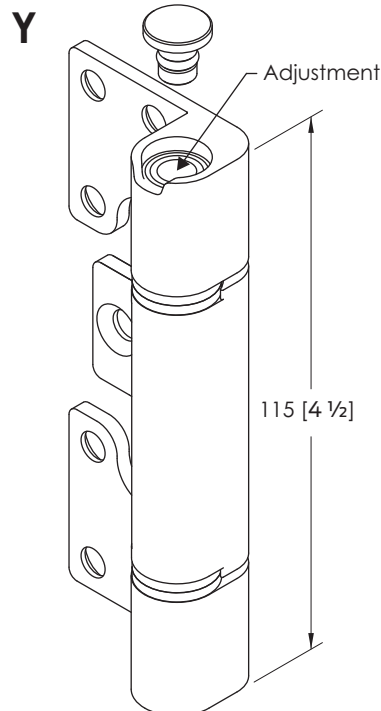


No. 12Gx32 Torx  
 Wood screw x9

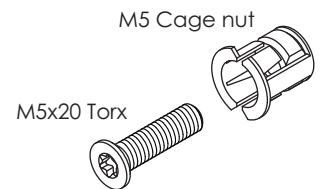
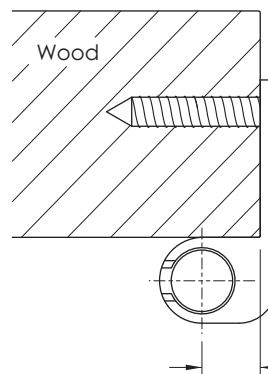
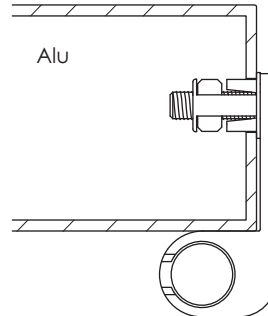
Horizontal x2



Vertical x1

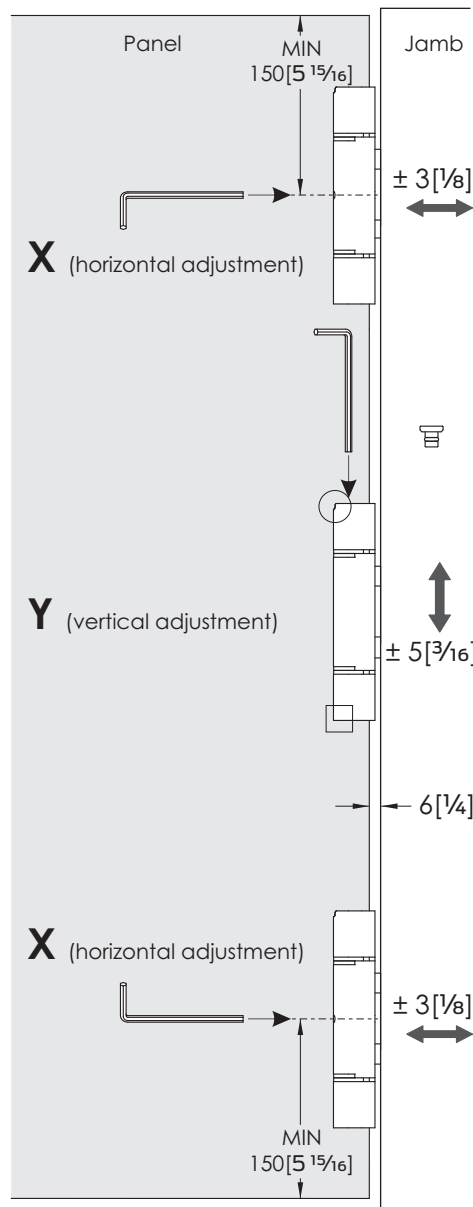


FIXINGS

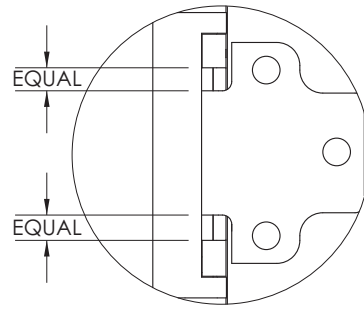


# Installation

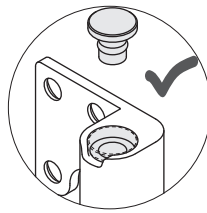
## Position



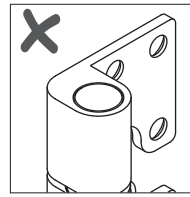
## Important



All flags must be fixed central to ensure maximum adjustment



Access slot in flag for removable cap for middle hinge only

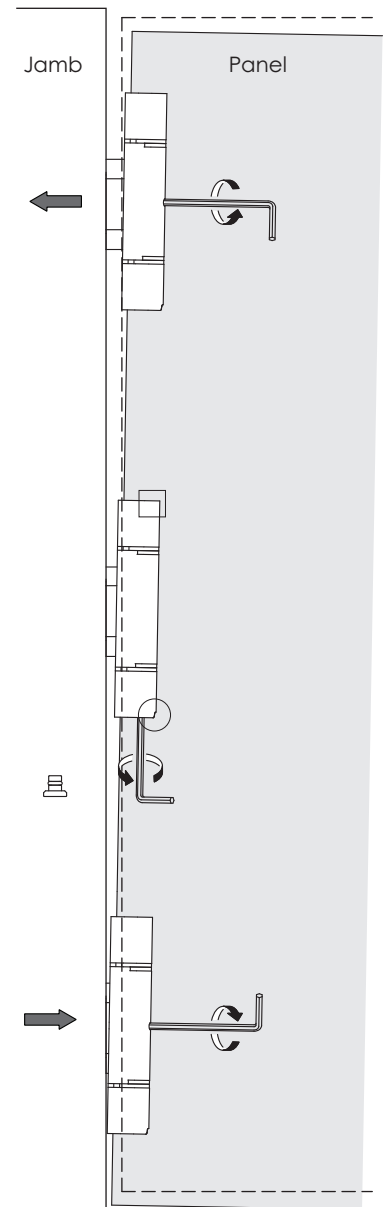


Not removable

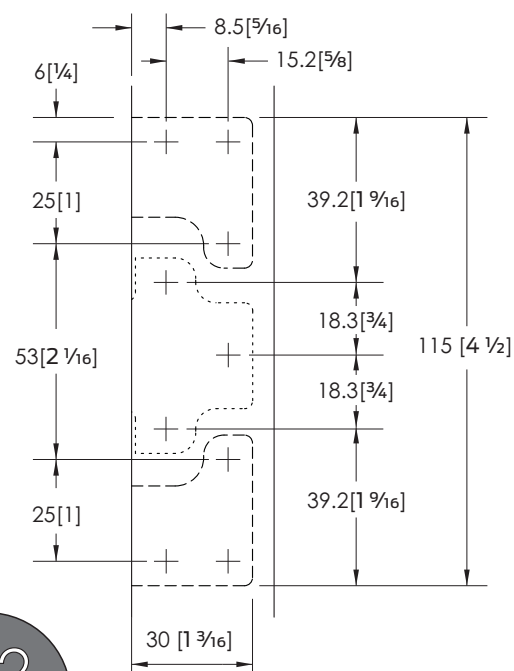
## Note

Hinges are non-handed. Rotate hinges for opposite orientation

## Adjustment

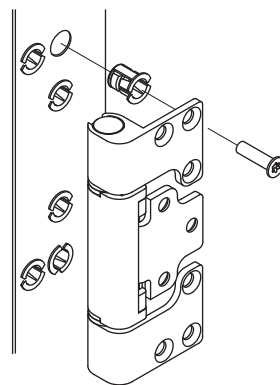


## Hole Pattern

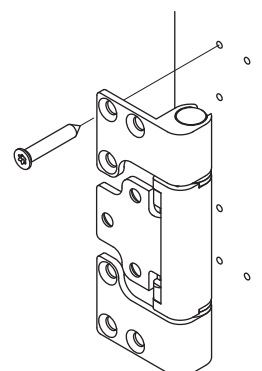


## Alu Panel

Clearance hole  $\varnothing 10.0\text{mm}$  [3/8]



Wood Panel  
Pilot hole of  $\varnothing 3.5\text{mm}$  [1/8]



## 4 hinge configuration

