

Application

Widely used in lighter commercial and industrial applications.

To cover any width of opening, any number of doors can be used.

To accommodate different building designs, doors can slide to one or both sides.

Hinged door for easy access may be incorporated into a sliding door.

Where doors are fitted externally, a canopy is recommended.

Panel Specification

Track System:

For Individual Doors:	Single Run 120	
Max Door Height	3000mm	9' 10"
Max Door Weight Nylon Tyre Hanger	120kg	265lbs
Door Thickness	19-48mm	¾" - 1 7/8"

For ease of operation it is recommended that the door width should not exceed 75% of the height of door height.

Timber doors for interior use can be of flush construction or glazed.

Timber doors for industrial applications should be framed, ledged and braced.

Metal doors should be constructed of box section, channel or angle framing, well braced and clad with flat or corrugated sheets.

Standard Packs

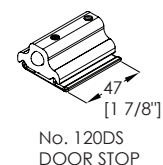
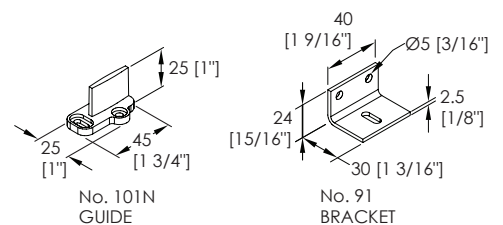
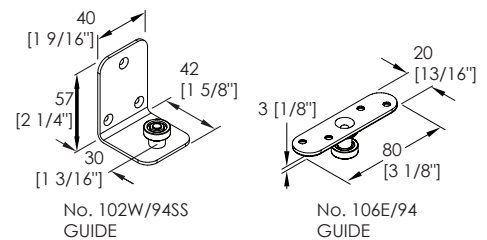
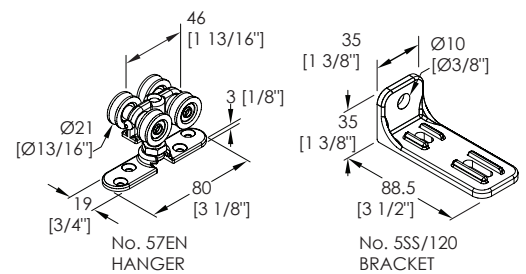
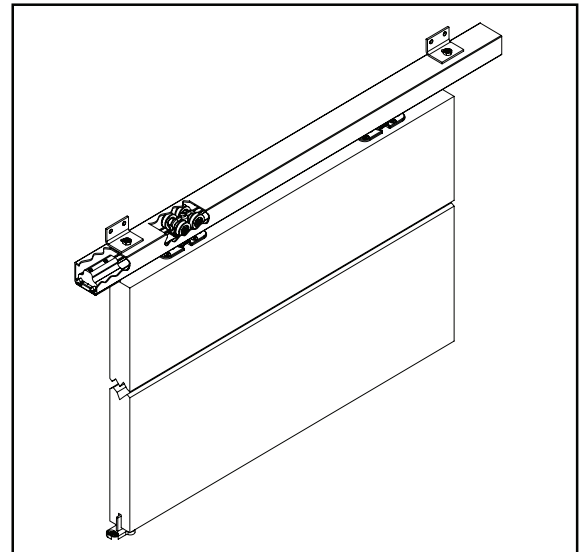
Pack No.
SR120-H1PK

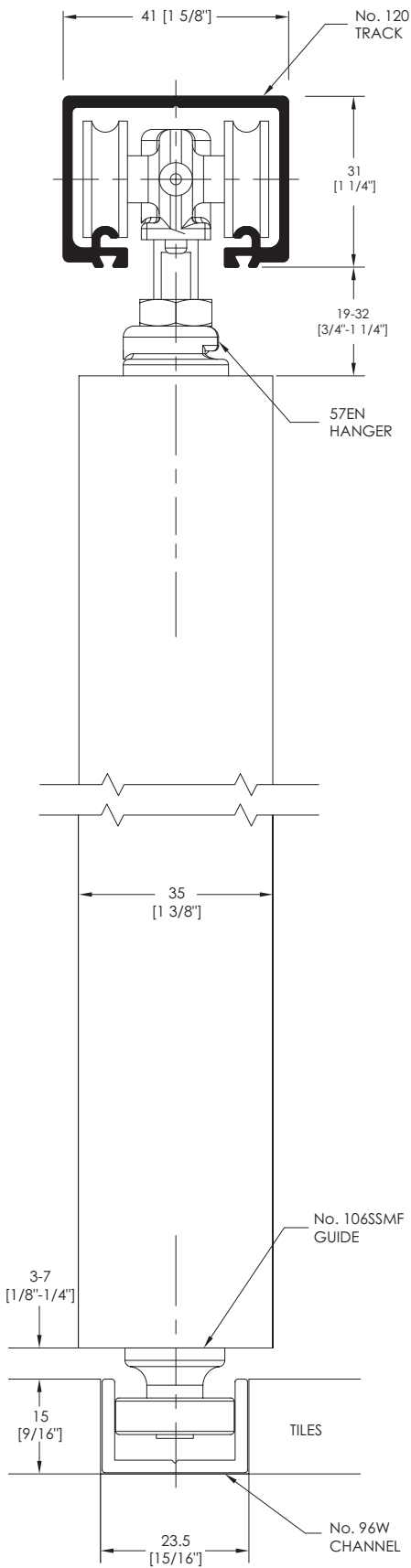
Fitting pack includes 2 hangers, door stops, nylon guide and screws.

Hardware Specification

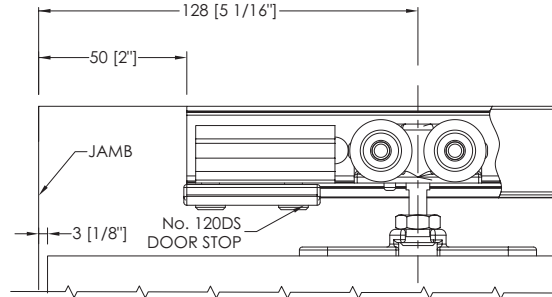
Track:	120 or 120R			
Material	Aluminium			
Finish	Clear Anodised			
Standard Lengths	2032mm	3048mm	4064mm	6096mm
	6'8"	10'	13'4"	20'
Brackets:				
Face fitted stainless steel angle	91			
Double face fitted bracket SS	5SS/120			
Hangers:				
Plate Fitting	57EN	Full Stainless		57SS/EN
Guides:				
SS plate (94 channel)	106E/94			
SS plate (96W channel)	106SSMF			
Nylon guide	101N			
Multiple doors	102W/94SS			
Channels:				
Aluminium	96W			
Aluminium & Polypropylene	94PPA			
Finish	Clear Anodised			
Polypropylene	94P			
Standard Lengths	2032mm	3048mm	4064mm	6096mm
	6'8"	10'	13'4"	20'
Accessories:				
Flush Pulls	401			
Door Stop	120DS			
Flush Bolts	456			

Flush bolts and flush pulls are available in (PVDB) PVD Brass, (SN) Satin Nickel & (PN) Polished Nickel.

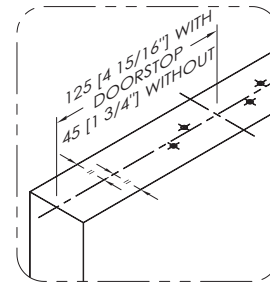
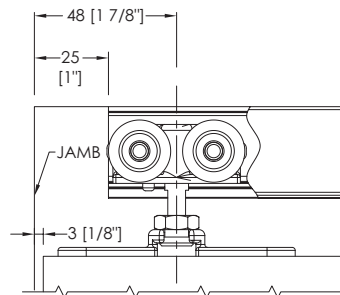




TRACK FIXING CENTRES
20MM [13/16"] FROM EACH END, 500MM [19 11/16"] MAXIMUM



DOOR PREPARATION
No. 57EN HANGER



CONFIGURATION OPTION

