

### Application

The 95HS Hybrid Sill is a tailor-made self draining sill suitable for residential and commercial applications.

The traditional interior timber look is maintained while cleverly providing a convenient solution to the problem of floor-channel drainage.

The wider sill aids drainage provides better sealing to the door opening.

Accommodates door thickness range of 38mm - 44.5mm.

Dedicated flush boltshoot channel takes the guess work away and speeds up flush bolt installation.

Guide channel drainage holes are discreetly positioned under the jambs concealed from view with less risk of contamination.

Pre-punched drainage slots direct the water out the front of the sill away from the building envelope.

The jambs are accommodated on the upper surface of the sill ensuring the end grain of the jambs are not exposed to water penetration and rot.

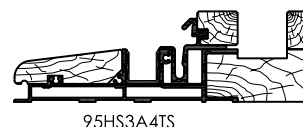
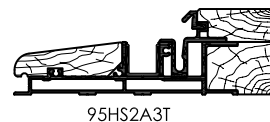
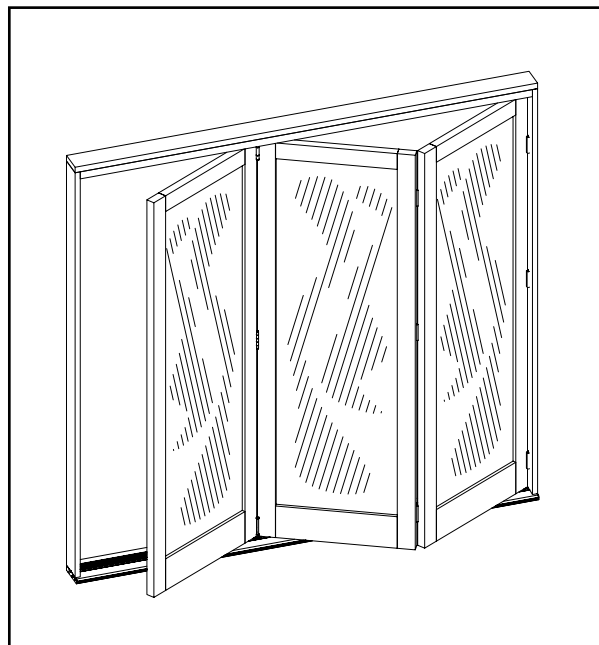
Aluminium end caps provide water tight sealing of the sill ends avoiding the building structure exposure to water damage.

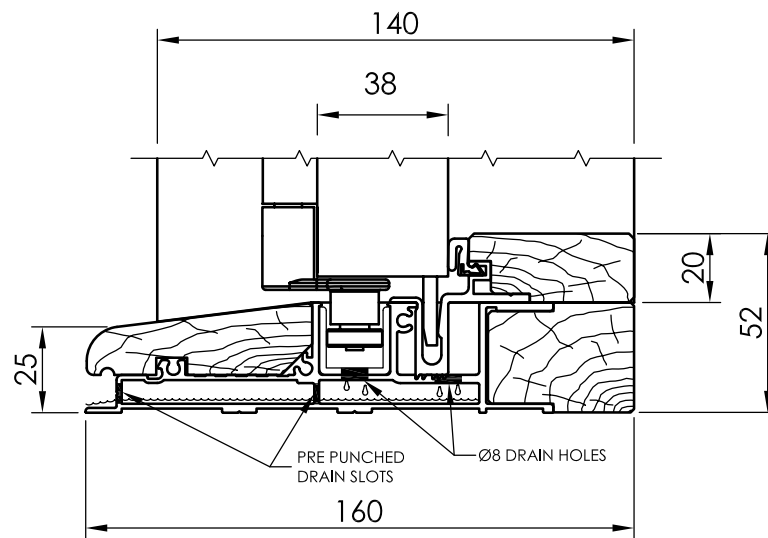
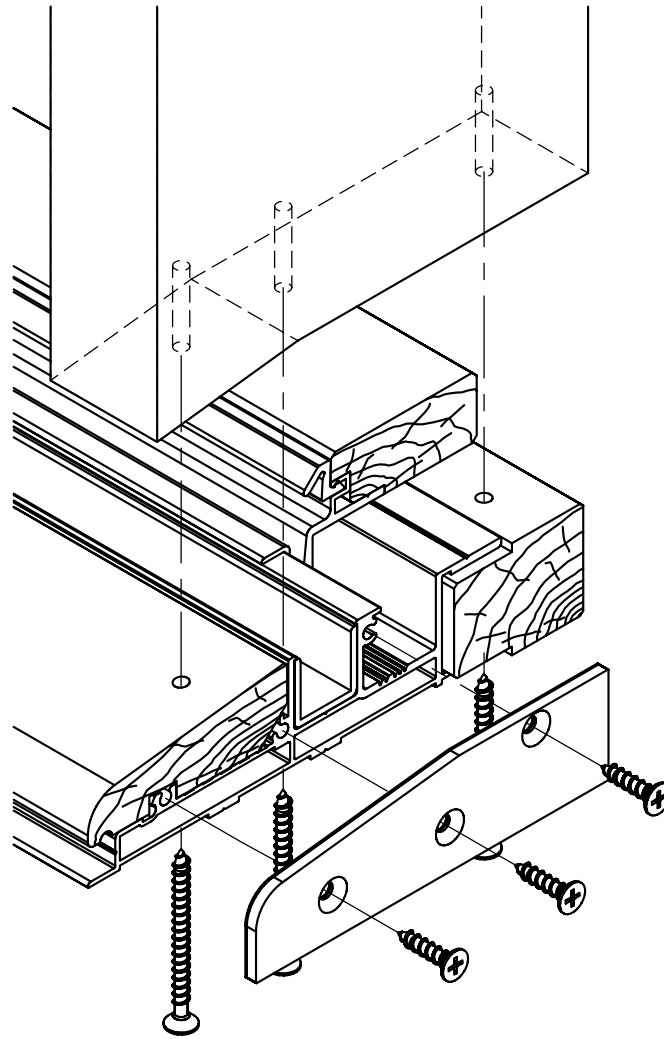
All aluminium is anodised dark bronze to 25 microns offering increased corrosion resistance for a longer lasting sill. Dark bronze elegantly matches natural hardwood finishes.

### Standard Option

KB No.	Contents
95HS2A0T	Sill Assembly without Timber Tread
95HS2A3T	Sill Assembly with Timber Tread and timber inner sill and rebate
95HS3A4TS	Sill Assembly with Timber Tread and fimbbers to suit 612 Retractable Pleated Insect Screen
Standard Lengths	2000mm, 3000mm, 4000mm, 5000mm and 6000mm

All options come with end caps and AQ21B Seal.





95HS2A3T