

288 Lever Handles

For Weatherfold 50 & 100

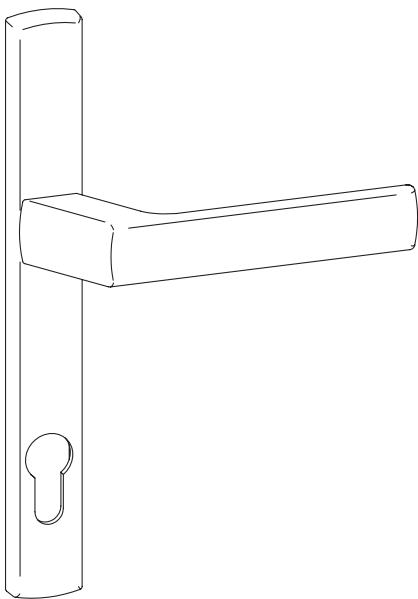
The 288 Lever Handle Set is crafted from high-quality cast 304 stainless steel, offering exceptional durability and a beautiful satin finish. This handle set is designed to complement the 286 Locking Handle, providing a cohesive and elegant look for your door systems.

Ideal for use with the Weatherfold 50 and Weatherfold 100 systems, due to its chunky styling and smart aesthetic, the lever handle offers a modest standoff from the face of the door at 44mm and works seamlessly on a swing leaf fitted with our 65mm standoff magnetic holdback catch providing a smooth operation and reliable performance.

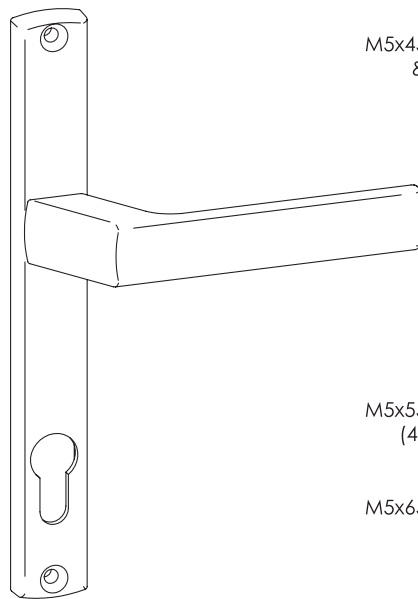


288 Lever Handle Technical Details

Code	Finish	Faceplate Size (mm) H x W x D	Total Standoff from Doorface (mm)	Centres (mm)
288/92	SS - Satin Stainless	213 x 26 x 9	44	92

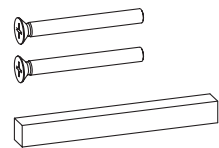


External furniture

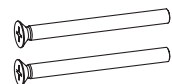


Internal furniture

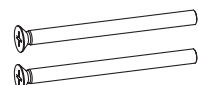
M5x45 fixing screws
& short spindle
(35-40 panels)
(288-85 only)



M5x55 fixing screws
(44.5-50 panels)



M5x65 fixing screws
(52-57 panels)



Long spindle
(44.5 + panels)

