

Application

Designed to achieve minimal clearances of just 2.5mm between the top edge of the panel and underside of the track concealing all moving parts.

Ideally suited for floor to ceiling straight sliding timber panels in both residential and commercial applications.

The smooth track profile can be easily recessed into ceiling to further enhance the clean-lines of the applications.

Panel Specification

Track System:	Zero Clearance 100
For Individual Panels:	
Max Leaf Height	3000mm
Max Leaf Weight	100kg
Min Panel Thickness	32mm

For ease of operation it is recommended that the panel width should not exceed 75% of panel height.

Timber panels for interior use can be flush construction or glazed.

Standard Sets and Packs

Sets comprise of top track, hangers, clip stops, nylon guides and timber screws.

Set No.	Max. Panel Width	Track Length	Material
ZC100-20/1	950mm	2000mm	Chrome bearings, mill track
ZC100SS-20/1	950mm	2000mm	SS bearings, anodised track
ZC100-30/1	1450mm	3000mm	Chrome bearings, mill track
ZC100SS-30/1	1450mm	3000mm	SS bearings, anodised track

Pack No.	Description
ZC100-1PK	Fitting pack only, no track
ZC100SS-1PK	Fitting pack only, no track, SS bearings

Hardware Specification

Track:	100
Material	Aluminium
Finish	Mill or clear anodised
Standard lengths	2000mm, 3000mm, 4000mm and 6000mm

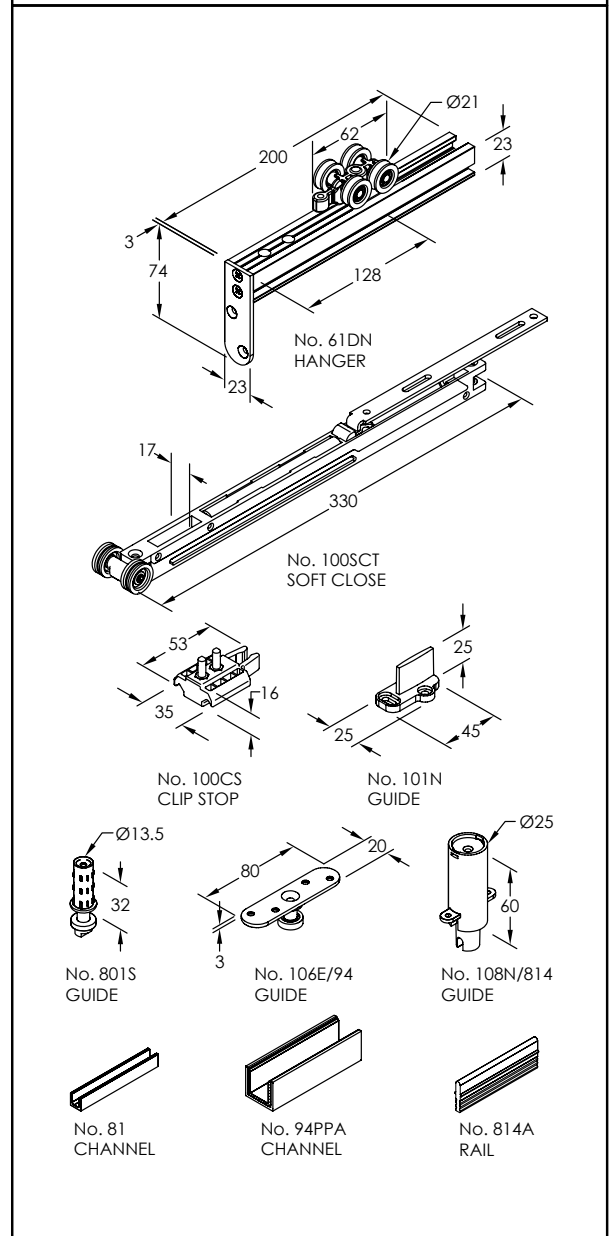
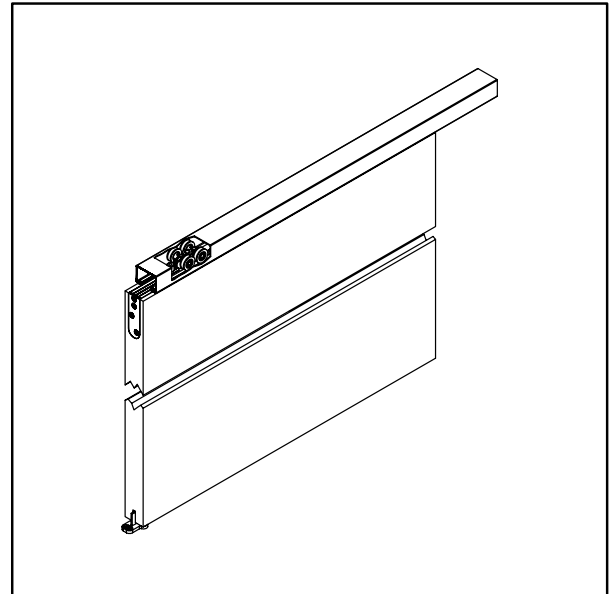
Hangers:	Stainless Option
Timber panels	61DN 61SS/DN

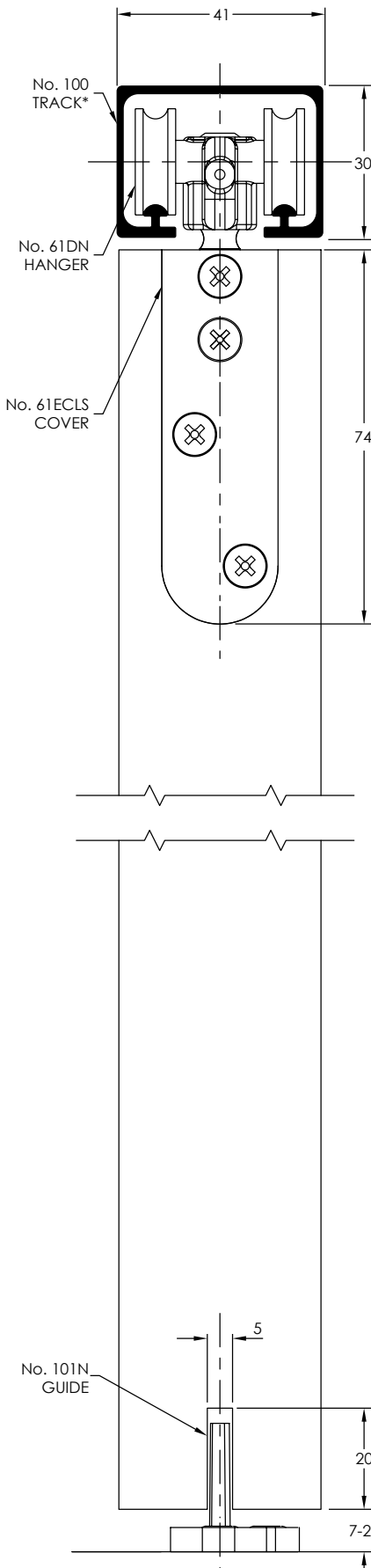
Hangers supplied with fixing plate and nylon tyred precision bearings. Vertical adjustment is simple and positive. Nylon tyre wheel hangers should not be used on installations involving temperatures exceeding 80°C.

Guides:	
Timber panels - SS plate (94 channels)	106E/94
Timber panels - SS plate (96W channel)	106SSMF
Timber panels - nylon guide	101N
Multiple panels	102W/94SS
Nylon, spring loaded	108N/814
Stainless and nylon, spring loaded	801S

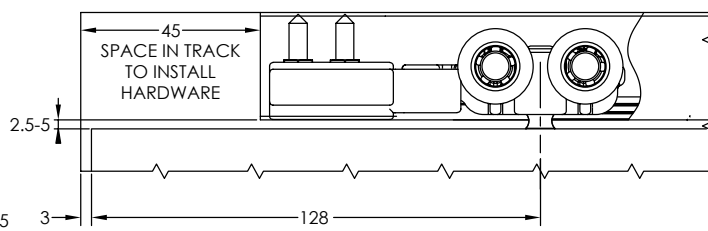
Channels:	
Aluminium & Polypropylene	94PPA Mill or clear anodised
Aluminium	814A Rail anodised 94A Mill or clear anodised 96W Clear anodised
Standard lengths	2000mm, 3000mm, 4000mm and 6000mm
Aluminium	81 Channel anodised
Standard lengths	1200mm, 1500mm, 1800mm, 2400mm and 3600mm

Accessories:	
Soft Close	100SCT
Clip Stop	100CS
Flush Pulls	401
Flush Bolts	456
Flush bolts and flush pulls are available in (PVDB) PVD Brass, (SN) Satin Nickel & (PN) Polished Nickel	

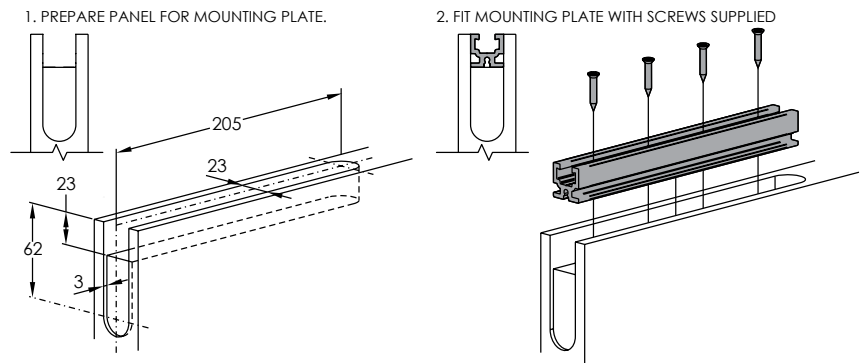




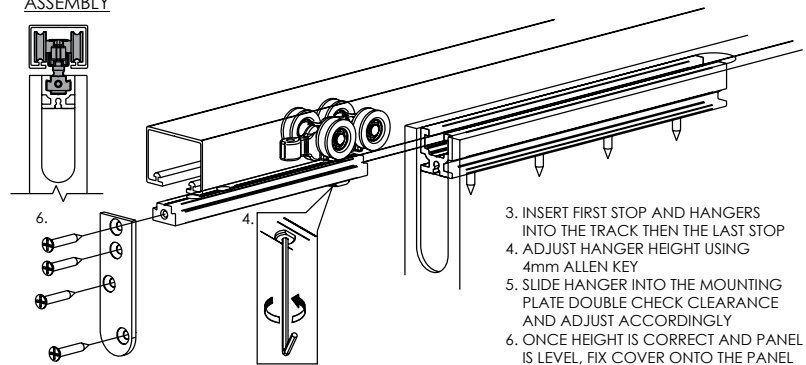
TRACK FIXING CENTRES
35mm FROM EACH END, THEN FIX AT 400mm INTERVALS



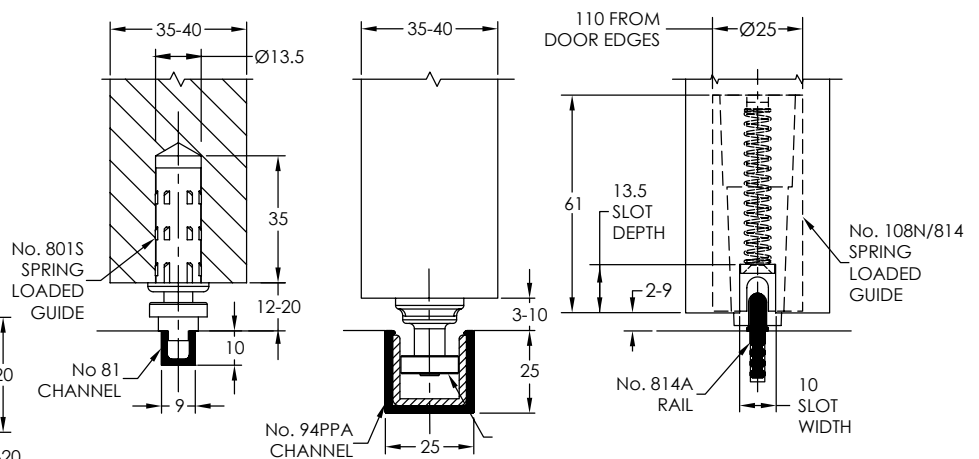
PANEL PREPARATION AND INSTALLATION



ASSEMBLY



OPTIONAL GUIDES



* WHEN USING No. 100SCT SOFT CLOSE, No. 100 TRACK MUST BE ANODISED
620 MIN PANEL WIDTH SINGLE SOFT CLOSE, 820 MIN PANEL WIDTH DOUBLE SOFT CLOSE