

Application

Designed to achieve minimal clearances of just 3mm between the top edge of the panel and underside of the track concealing all moving parts.

Ideally suited to floor to ceiling straight sliding timber panels in both residential and commercial applications.

Zero Clearance 180 hangers are cast 316 stainless steel with stainless steel bearings and suitable for both interior and exterior applications.

Panel Specification

Track System:

For Individual Doors:

	Zero Clearance 180	
Max Panel Height	3500mm	11'6"
Max Panel Weight	180kg	395lbs
Min Panel Thickness	40mm	1½"

For ease of operation it is recommended that the panel width should not exceed 75% of the panel height. Timber panels for interior use can be flush construction or glazed.

Standard Packs

Pack No.

ZC180-1PK

Fitting pack includes 2 hangers, door stops and guide

Hardware Specification

Track:

Material	180			
Standard Lengths	Aluminium Clear Anodised			
	2032mm	3048mm	4064mm	6096mm
	6'8"	10'	13'4"	20'

Hangers:

Timber panels 61/GN

Stainless steel hangers are fitted with nylon tyre wheels on precision ball bearings. Vertical adjustment is simple and positive.

Guides:

Sawcut Guide	531T
Stainless precision bearing	106E/94
Multiple Doors	102W/94SS

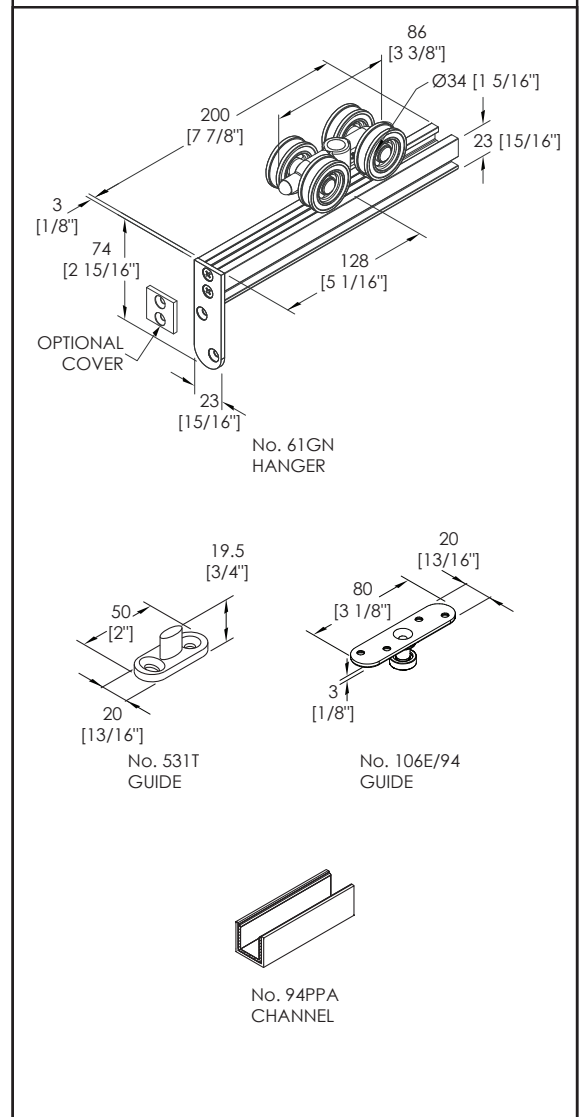
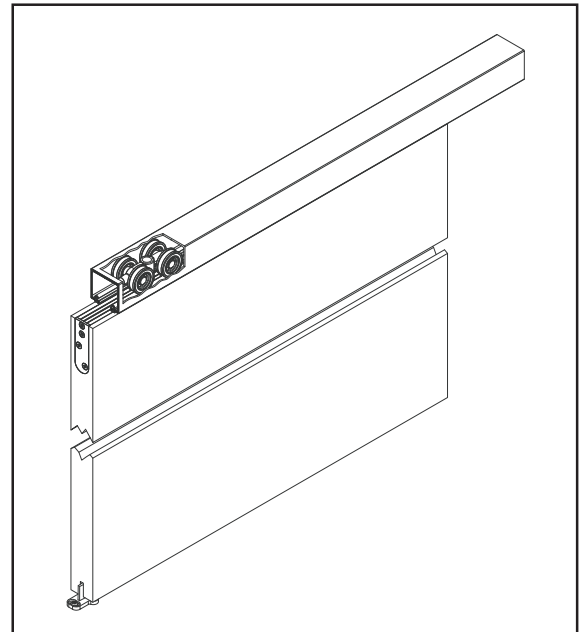
Channels:

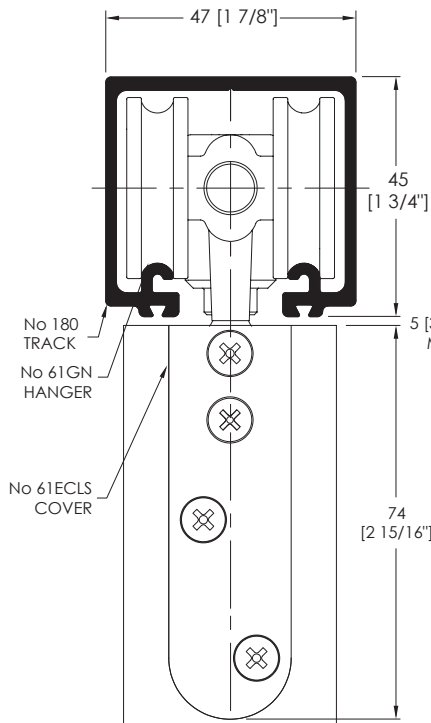
Material & Polypropylene	94PPA			
Finish	Clear Anodised			
Polypropylene	94P			
Standard lengths	2032mm	3048mm	4064mm	6096mm
	6'8"	10'	13'4"	20'

Accessories:

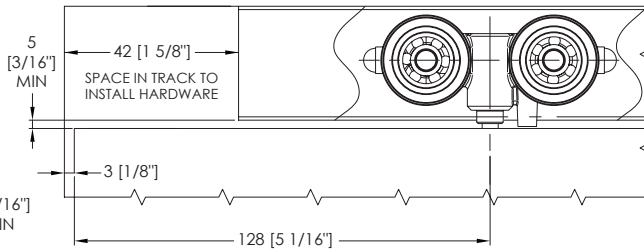
Flush Pulls	401
Door Stop	180 DS
Flush Bolts	456

Flush bolts and flush pulls are available in (PVDB) PVD Brass, (SN) Satin Nickel & (PN) Polished Nickel



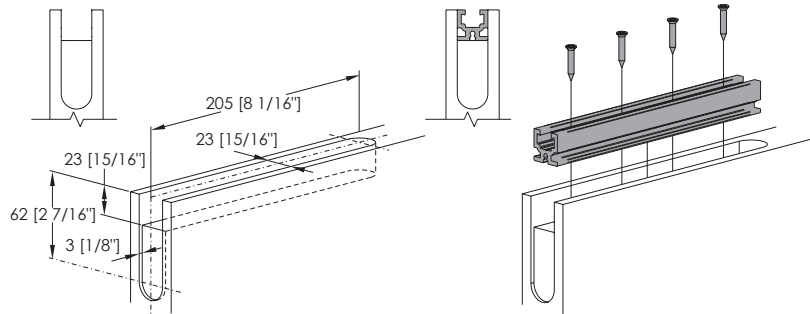


TRACK FIXING CENTRES
35MM [1 3/8"] FROM EACH END, THEN FIX AT 400MM [15 3/4"] INTERVALS

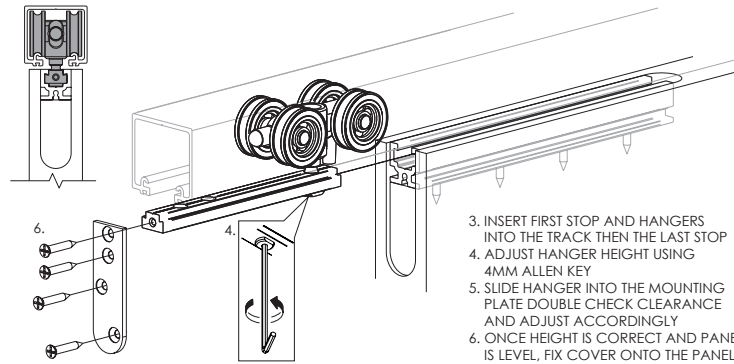


DOOR PREPARATION AND INSTALLATION

1. PREPARE DOOR FOR MOUNTING PLATE.
2. FIT MOUNTING PLATE WITH SCREWS SUPPLIED



ASSEMBLY



OPTIONAL GUIDES

