

Application

Designed to achieve minimal clearances of just 3mm between the top edge of the panel and underside of the track concealing all moving parts.

Ideally suited to floor to ceiling straight sliding timber panels in both residential and commercial applications.

Zero Clearance 120 hangers are cast 316 stainless steel with stainless steel bearings and suitable for both interior and exterior applications.

Panel Specification

Track System:

For Individual Doors:

	Zero Clearance 120	
Max Panel Height	3000mm	9' 10"
Max Panel Weight	120kg	265lbs
Min Panel Thickness	32mm	1 1/4"

For ease of operation it is recommended that the panel width should not exceed 75% of the panel height. Timber panels for interior use can be flush construction or glazed.

Standard Packs

Pack No.

ZC120-1PK

Fitting pack includes 2 hangers, door stops and guide

Hardware Specification

Track:

Material	120 or 120R Aluminium			
Finish	Clear Anodised			
Standard Lengths	2032mm 6'8"	3048mm 10'	4064mm 13'4"	6096mm 20'

Hangers:

Timber panels 61/EN

Stainless steel hangers are fitted with nylon tyre wheels on precision ball bearings. Vertical adjustment is simple and positive.

Guides:

Sawcut Guide	101N
Stainless precision bearing	106E/94
Stainless precision tyred bearing	106SSMF
Multiple Doors	102W/94SS

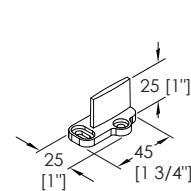
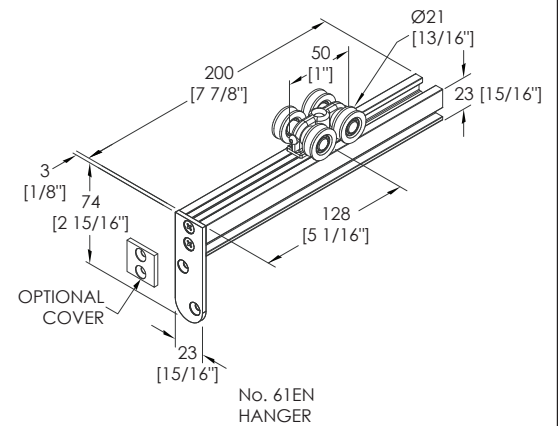
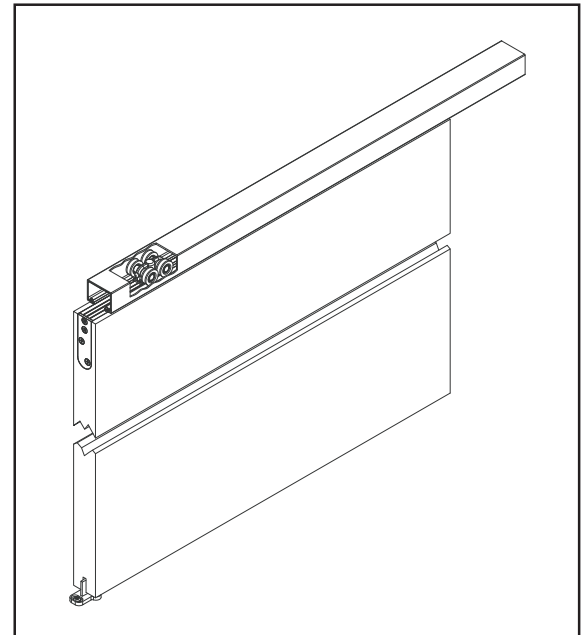
Channels:

Aluminium	96W			
Aluminium & Polypropylene	94PPA			
Finish	Clear Anodised			
Polypropylene	94P			
Standard lengths	2032mm 6'8"	3048mm 10'	4064mm 13'4"	6096mm 20'

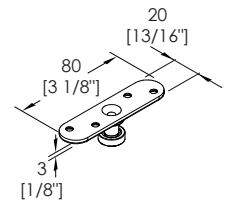
Accessories:

Flush Pulls	401
Door Stop	120DS
Flush Bolts	456

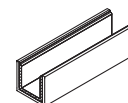
Flush bolts and flush pulls are available in (PVDB) PVD Brass, (SN) Satin Nickel & (PN) Polished Nickel



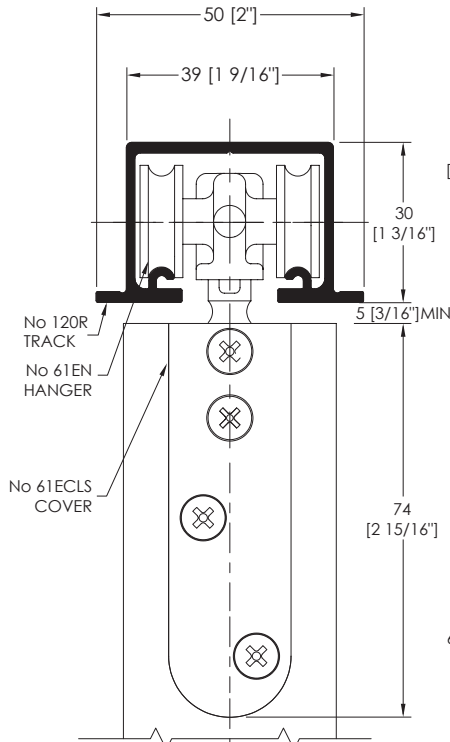
No. 101N
GUIDE



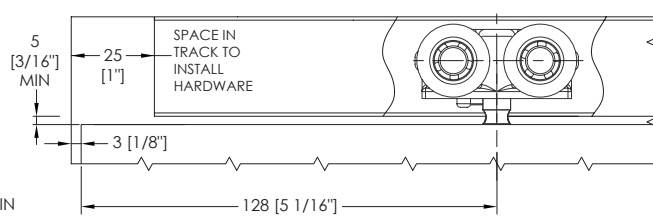
No. 106E/94
GUIDE



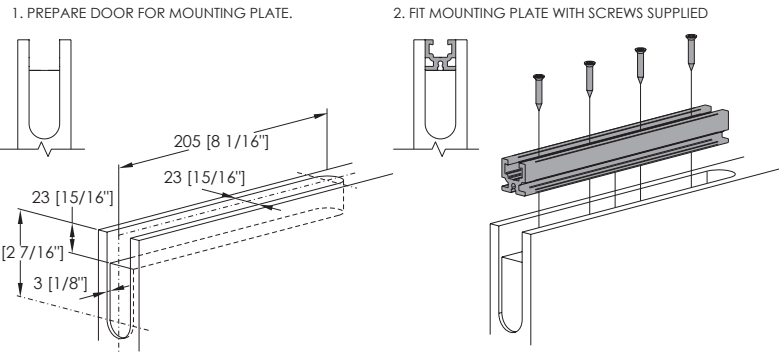
No. 94PPA
CHANNEL



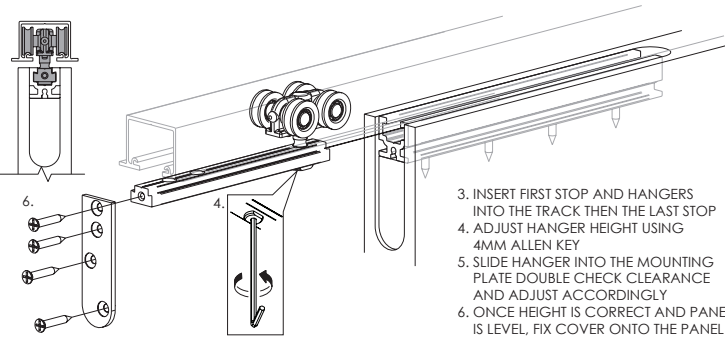
TRACK FIXING CENTRES
35MM [1 3/8"] FROM EACH END, THEN FIX AT 400MM [15 3/4"] INTERVALS



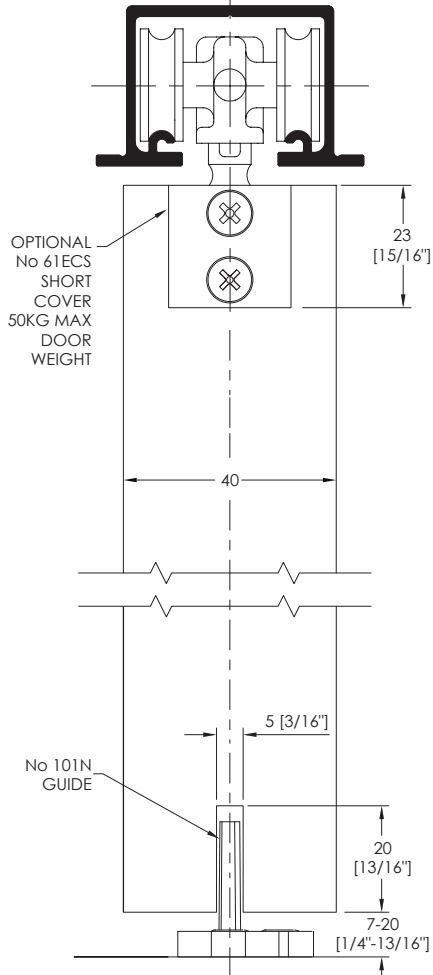
DOOR PREPARATION AND INSTALLATION



ASSEMBLY



3. INSERT FIRST STOP AND HANGERS INTO THE TRACK THEN THE LAST STOP
4. ADJUST HANGER HEIGHT USING 4MM ALLEN KEY
5. SLIDE HANGER INTO THE MOUNTING PLATE DOUBLE CHECK CLEARANCE AND ADJUST ACCORDINGLY
6. ONCE HEIGHT IS CORRECT AND PANEL IS LEVEL, FIX COVER ONTO THE PANEL



OPTIONAL GUIDES

