

Application

Widely used in the residential and shutter applications.

To cover any width of opening, any number of doors can be used.

To accommodate different building designs, doors can slide to one or both sides.

Where doors are fitted externally, a canopy is recommended.

Panel Specification

Track System:

For Individual Doors:

	Single Run 80	
Max Door Height	3000mm	9' 10"
Max Door Weight Nylon Tyre Hanger	80kg	175lbs
Door Thickness	28-48mm	1 1/8" - 1 7/8"

For ease of operation it is recommended that the door width should not exceed 75% of door height.

Timber doors for interior use can be of flush construction or glazed.

Timber doors for industrial applications should be framed, ledged and braced.

Metal doors should be constructed of box section, channel or angle framing, well braced and clad with flat or corrugated sheets.

Standard Packs

Pack No.

SR80-1PK

Fitting pack includes 2 hangers, clip stops and nylon guide.

Hardware Specification

Track:

Material	80A Aluminium			
Finish	Clear Anodised			
Standard Lengths	2032mm	3048mm	4064mm	6096mm
	6' 8"	10'	13' 4"	20'

Brackets:

Face fitted stainless steel, angle	91
Double face fitted bracket SS	5SS/120

Hangers (2 per door)

Hangers:		Full Stainless
Timber doors - plate (surface)	57ENP	57SS/ENP

Guides:

SS plate (94 channel)	106E/94
SS plate (96W channel)	106SSMF
Nylon guide	101N
Multiple doors	102W/94SS

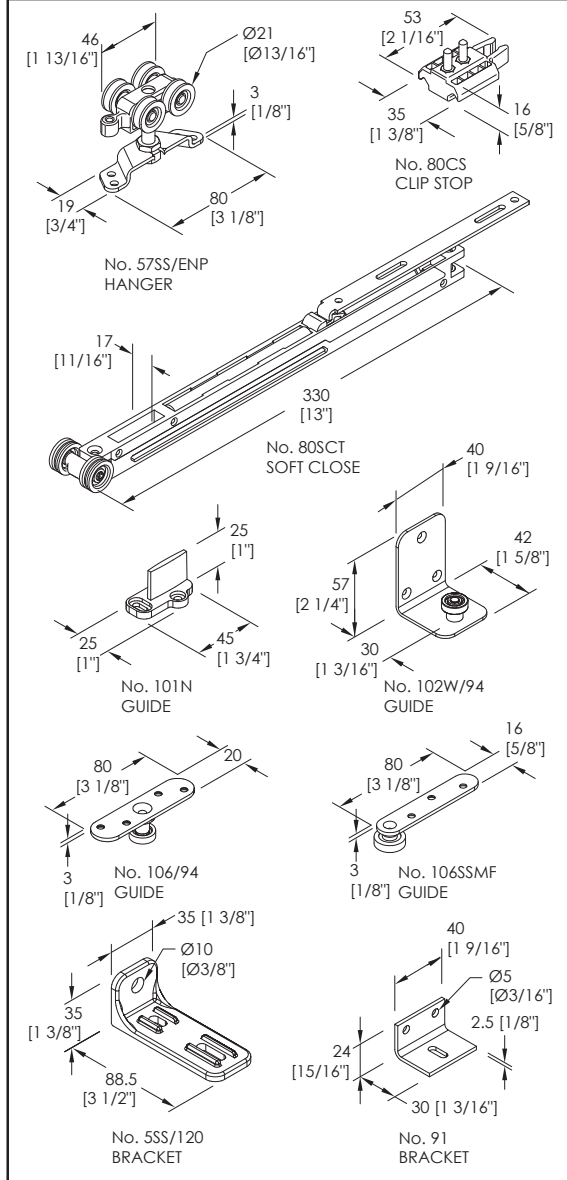
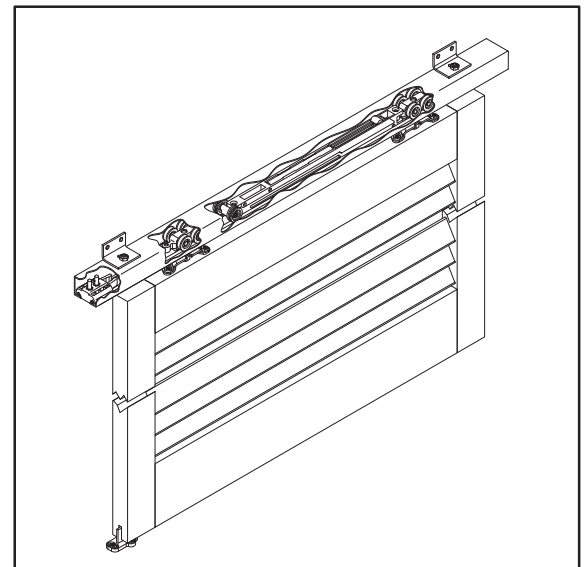
Channels:

Aluminium	96W			
Aluminium & Polypropylene	94PPA			
Finish	Clear Anodised			
Polypropylene	94P			
Standard Lengths	2032mm	3048mm	4064mm	6096mm
	6' 8"	10'	13' 4"	20'

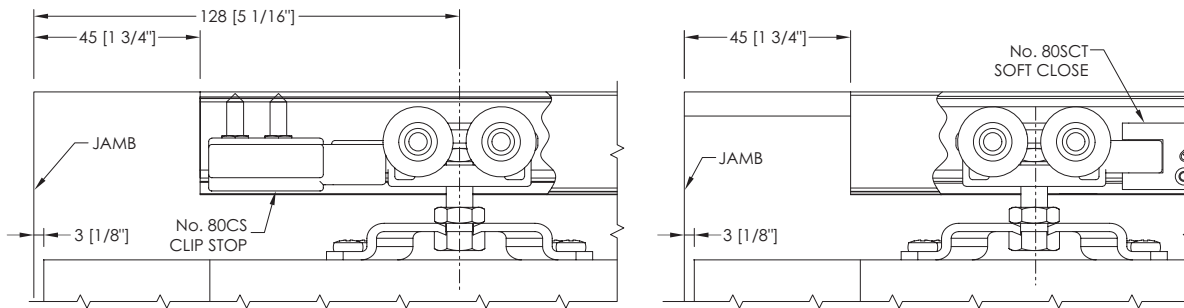
Accessories:

Soft Close	80CST
Clip Stop	80CS
Flush Bolts	456
Flush pulls	401

Flush bolts and flush pulls are available in (PVDB) PVD Brass, (SN) Satin Nickel & (PN) Polished Nickel

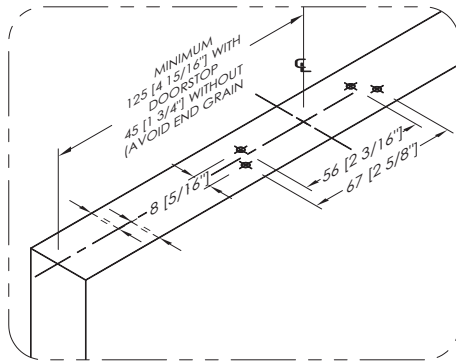


TRACK FIXING CENTRES
20MM [13/16"] FROM EACH END, 500MM [19 11/16"] MAXIMUM

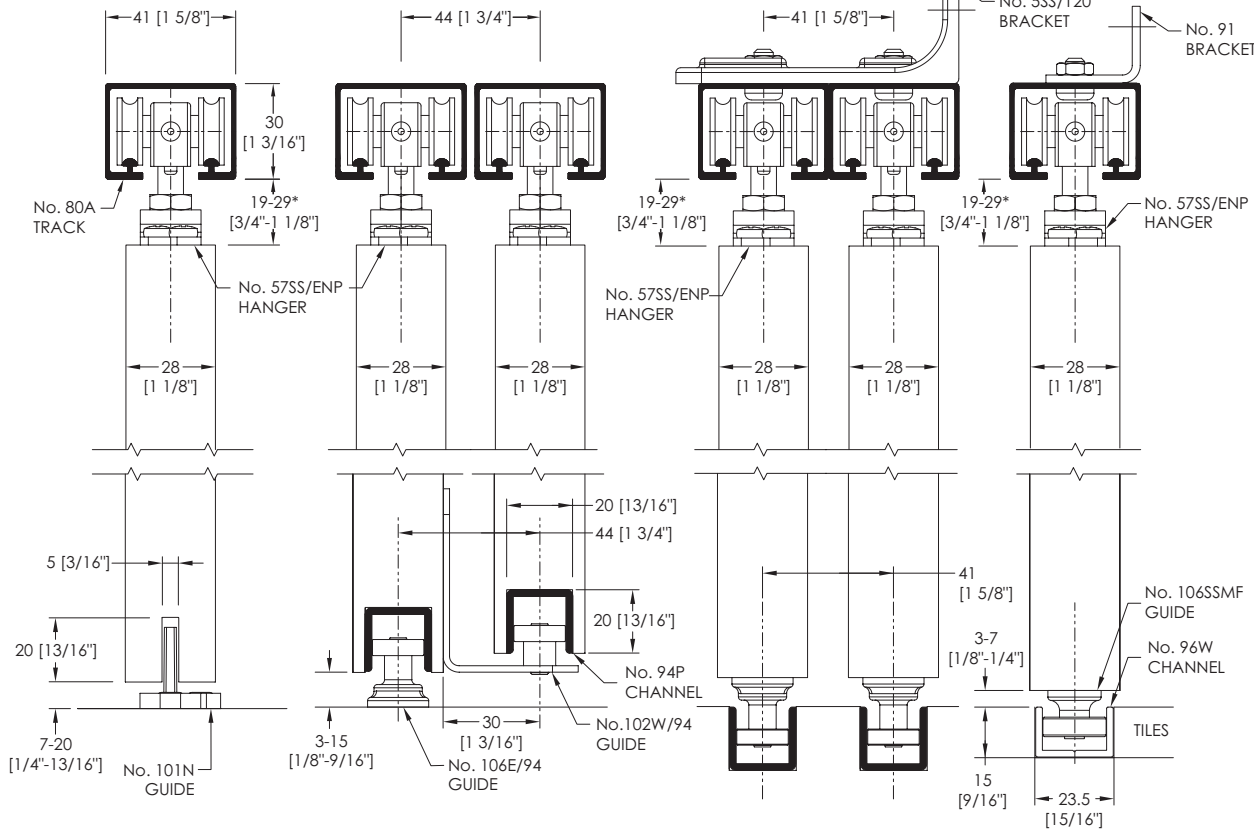
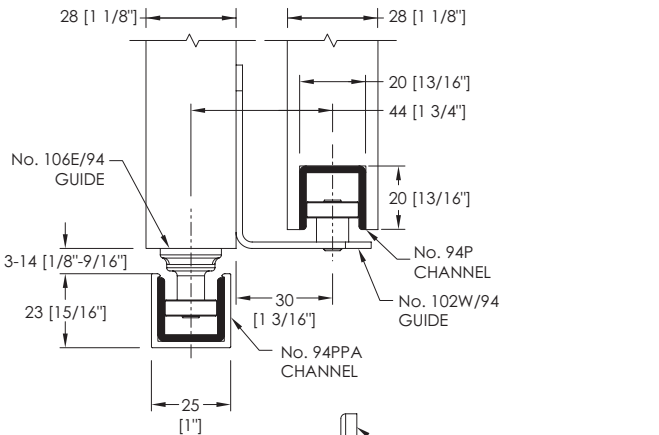


DOOR PREPARATION

No. 57SS/ENP HANGER



GUIDE OPTION



* WHEN USING No. 80SCT SOFT CLOSE CLEARANCE 22-29 [7/8"-1 1/8"]