

### Application

Suitable for interior and exterior top hung sliding doors.

Ideal for sliding doors and shutters in residential and commercial applications.

Versatile design allows the opening to be covered by any number of doors.

The aluminium track may be fitted directly to the lintel, in single or multiple lines, or face fitted to the lintel using a single line of brackets.

Hangers come standard with a steel bracket and four nylon tyred wheels with precision bearings.

### Panel Specification

#### Track System:

For Individual Doors:

Max Door Weight  
Max Door Height  
Min Door Thickness

#### Single Run 60

60kg                      130lbs  
2400mm                7' 10"  
19mm                    ¾"

### Standard Packs

#### Pack No.

SR60-1PK

Fitting pack includes 2 hangers, door stops, guide, spanner and screws.

### Hardware Specification

#### Track:

Material                      Aluminium  
Standard lengths            2032mm      3048mm      4064mm      6096mm  
6'8"                            10'            13'4"           20'

#### Bracket:

Single                              91  
Pack of 5 brackets            91/5  
Bracket 91 made from stainless steel. Supplied with matching fasteners.

#### Hangers:

606

The 606 hanger has a nylon body and comes standard with zinc plated steel bracket and four nylon tyred wheels with chrome precision bearings.

#### Door Stops:

287S

Door stop 287S is made from stainless steel. Supplied with a rubber buffer and locking screw.

#### Guide:

55G

Guide in white nylon, comes in two parts that fit on both sides of the door. The guide is floor mounted.

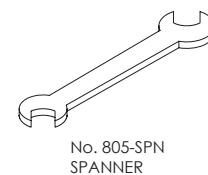
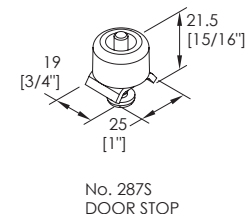
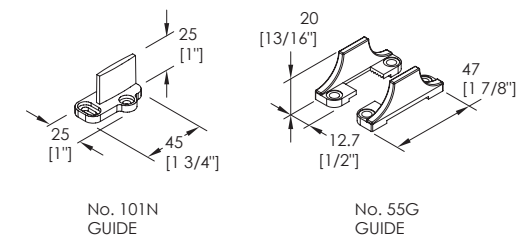
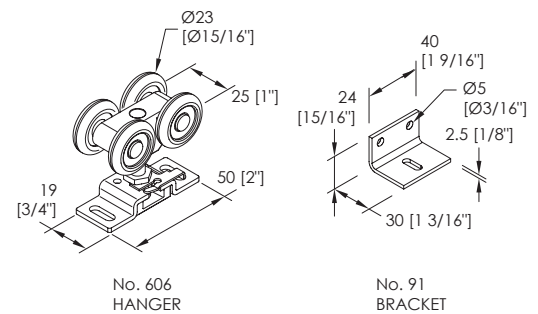
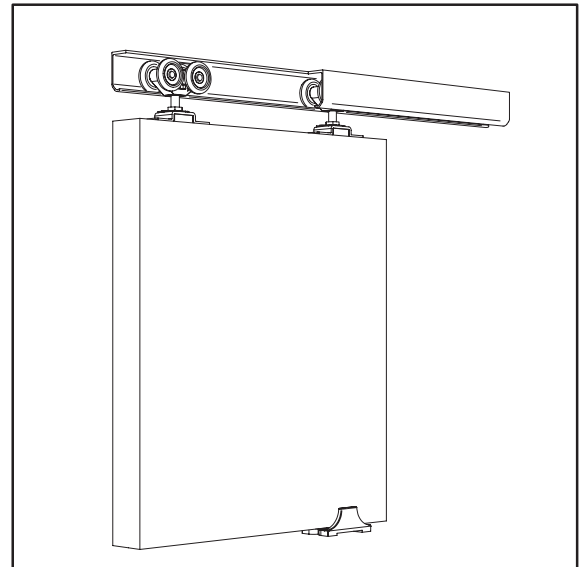
#### Spanner:

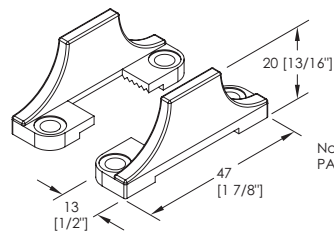
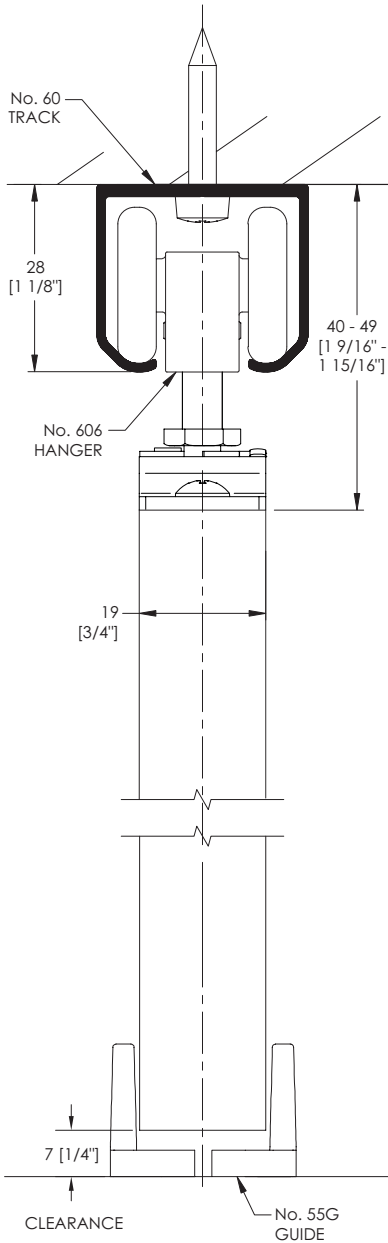
Pressed steel zinc plated.                      805-SPN to suit 606 Hanger

#### Accessories:

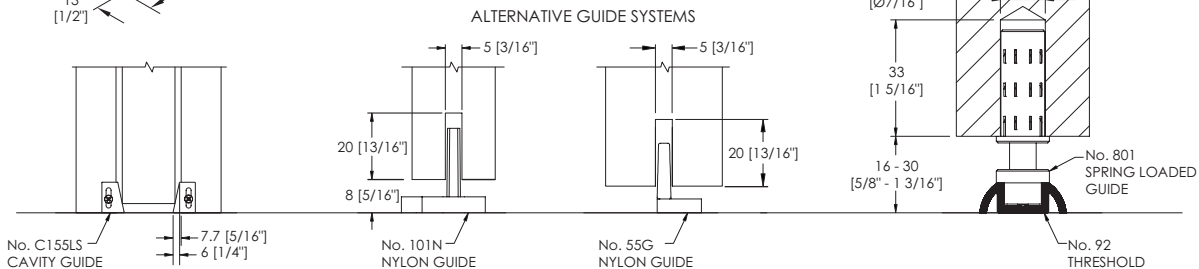
Alternative Guide                              101N

The nylon guide is designed to slide through a 20mm deep by 5mm wide sawcut in the bottom rail of the door.





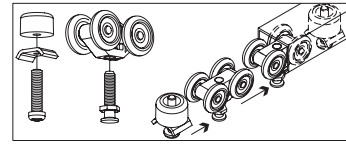
No. 55G GUIDE INCLUDED IN SETS & FITTING PACKS. SUITABLE FOR DOORS OF ANY WIDTH



### INSTALLATION INSTRUCTIONS

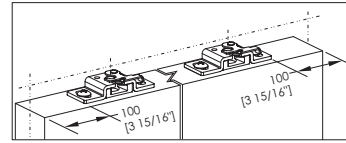
#### 1 Prepare Hardware

Screw hanger bolts into hangers and Door Stops.  
Insert hangers into track. Insert a door stop at either end to retain hangers during track installation.



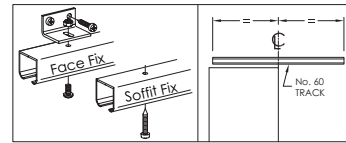
#### 2 Attach Hardware to Door

Hanger Mounting Plates should be positioned centrally in the door width. Plates should be facing in opposite directions. Opening facing panel edge.



#### 3 Fix Track Parallel to Floor

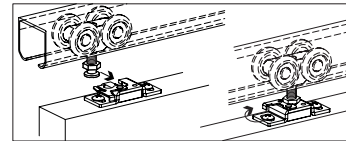
Soffit Fix- Position 8g screws first 50mm [2\"/>



Track Length	900 [35 7/16"]	1250 [49 3/16"]	1700 [66 15/16"]	2100 [82 11/16"]	2500 [98 7/16"]	3000 [118 1/8"]	3805 [149 13/16"]	5105 [201"]	6000 [236 1/4"]
Bracket Qty.	4	5	7	8	10	12	15	19	23

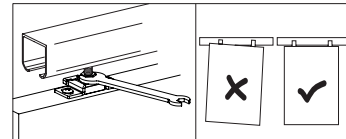
#### 4 Hang Door

With the latch on the Mounting Plates open. Bring door up to hangers and push hanger bolt into Plate. Close latches when bolts are in the plates.



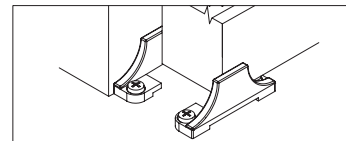
#### 5 Adjust Door

Screw bolt in or out of Hanger to adjust door height. Adjust door height so door is square.



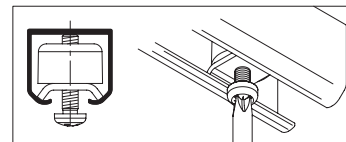
#### 6 Fit Door Guide

Locate at opening jamb. With door hanging plumb fix guides to either side of door.



#### 7 Position Door Stops

Fit one stop to each end of the Track where required. Loosen screw to move and tighten to fix in position.



### Application

Ideal for sliding pocket doors in residential and commercial applications.

Hangers come standard with a steel bracket and four nylon tyred wheels with precision bearings.

### Panel Specification

#### Track System:

For Individual Doors:  
 Max Door Weight  
 Max Door Height  
 Min Door Thickness

#### Cavity Run 60

60kg	130lbs
2400mm	7' 10"
19mm	¾"

### Standard Packs

#### Pack No.

CR60-1PK

Fitting pack includes 2 hangers, guide, spanner and screws.

### Hardware Specification

#### Track:

Material	Aluminium			
Standard lengths	2032mm	3048mm	4064mm	6096mm
	6'8"	10'	13'4"	20'

#### Hangers:

605

The 605 hanger has a nylon body and comes standard with zinc plated steel bracket and four nylon tyred wheels with chrome precision bearings.

#### Guide:

C155LS

Nylon guide for cavity door applications.

#### Spanner:

Pressed steel zinc plated.

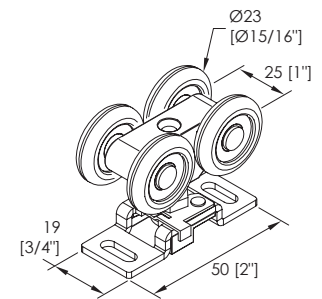
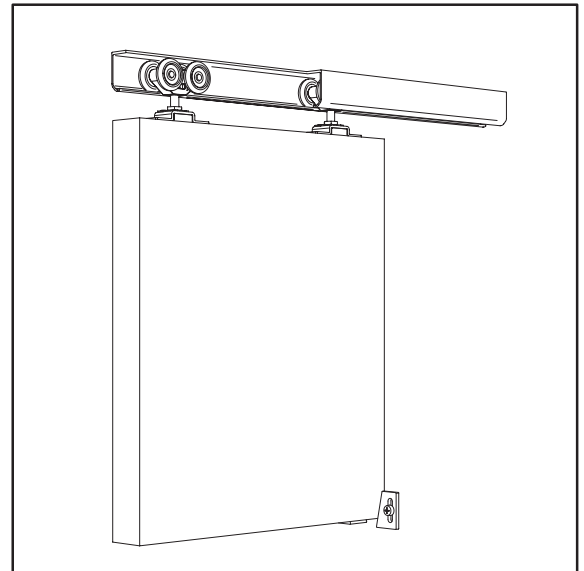
805-SPN to suit 605 Hanger

#### Accessories:

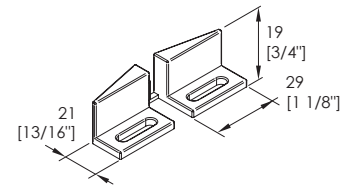
Alternative Guide

101N

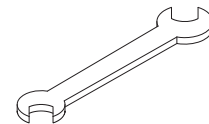
The nylon guide is designed to slide through a 20mm deep by 5mm wide sawcut in the bottom rail of the door.



No. 605 HANGER

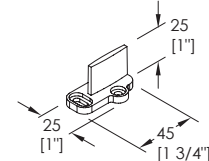


No. C155LS CAVITY GUIDE



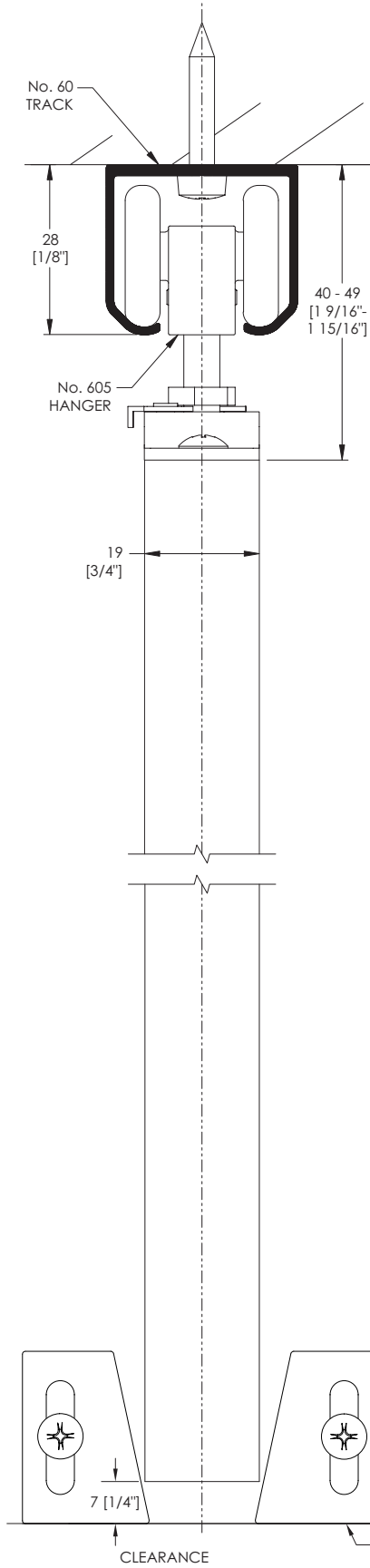
No. 805-SPN SPANNER

#### ACCESSORIES



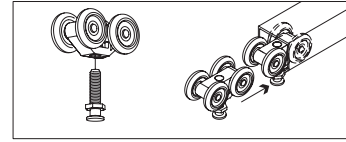
No. 101N GUIDE

**INSTALLATION INSTRUCTIONS**



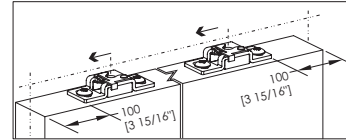
**1 Prepare Hardware**

Screw hanger bolts into hangers. Insert hangers into track.



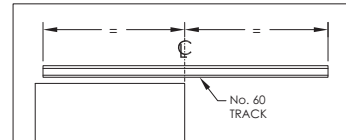
**2 Attach Hardware to Door**

Hanger Mounting Plates should be positioned centrally in the door width. Plates should be facing the same direction. Opening facing cavity opening.



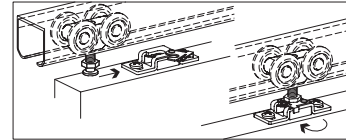
**3 Fix Track Parallel to Floor**

Position 8g screws first 50mm [2"] in from each end and every 300mm [11 13/16"] between.



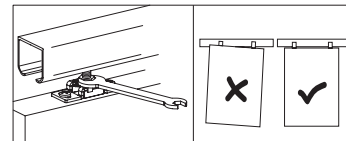
**4 Hang Door**

With the latch on the Mounting Plates open. Bring door up to hangers and push hanger bolt into Plate. Close latches when bolts are in the plates.



**5 Adjust Door**

Screw bolt in or out of Hanger to adjust door height. Adjust door height so door is square.



**6 Fit Door Guide**

Locate at opening jamb. With door hanging plumb fix guides to either side of door.

