

## Application

- Widely used in lighter commercial and industrial applications.
- To cover any width of opening, any number of doors can be used.
- To accommodate different building designs, doors can slide to one or both sides.
- Hinged door for easy access may be incorporated into a sliding door.
- Where doors are fitted externally, a canopy is recommended.

## Panel Specification

<b>Track System:</b>	<b>Single Run 350</b>			
For Individual Doors:				
Max Door Height	4000mm	13'1"		
Max Door Weight Nylon Tyre Hanger	350kg	770lbs		
Door Thickness	35-48mm	1 3/8" - 1 7/8"		

For ease of operation it is recommended that the door width should not exceed 75% of the height of door height.

Timber doors for interior use can be of flush construction or glazed.  
 Timber doors for industrial applications should be framed, ledged and braced.  
 Metal doors should be constructed of box section, channel or angle framing, well braced and clad with flat or corrugated sheets.

## Standard Packs

<b>Pack No.</b>	
SR350-H1PK	Fitting pack includes 2 hangers, door stop and sawcut guides.

## Hardware Specification

<b>Track:</b>	250			
Material	Aluminium			
Finish	Clear Anodised			
Standard Lengths	2032mm	3048mm	4064mm	6096mm
	6'8"	10'	13'4"	20'

<b>Brackets:</b>				
Face fitted stainless steel angle	1SS/250			
Face fitted double bracket SS	5SS/250			

<b>Hangers:</b>				
Plate fitting	57HN	Full Stainless		
		57SS/HN		

<b>Guides:</b>				
SS plate fitting	106RB/94			
Sawcut guide	531T			
Multiple Doors	102W/94SS			

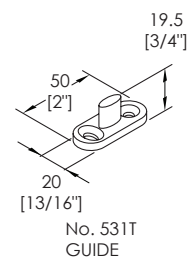
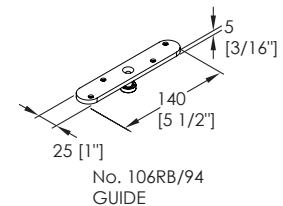
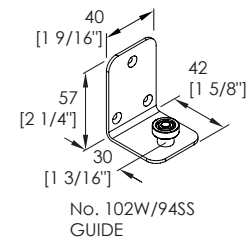
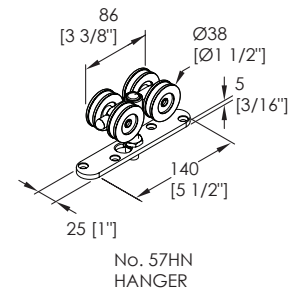
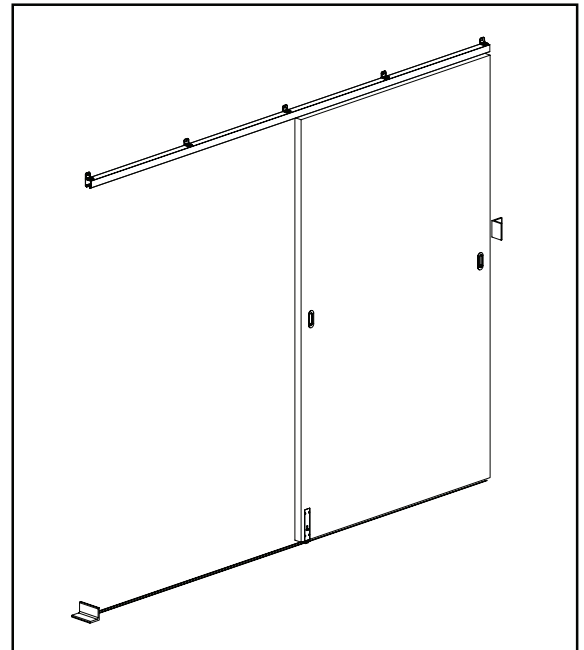
  

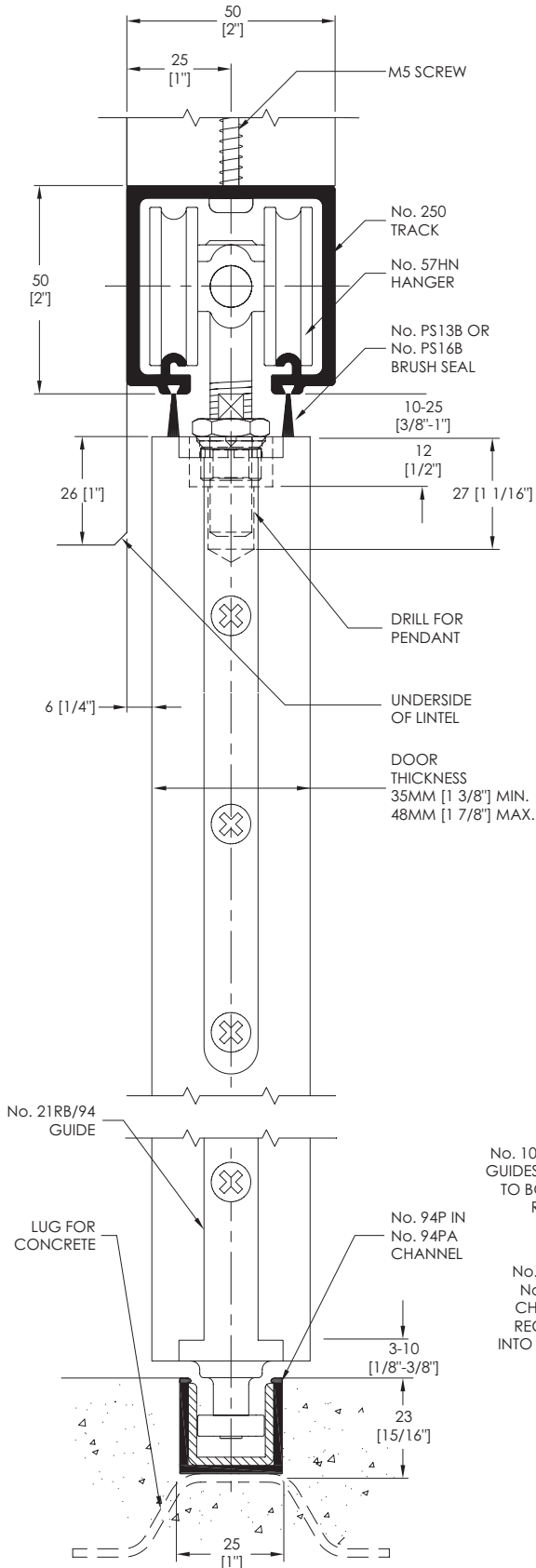
<b>Channels:</b>				
Aluminium & Polypropylene	94PPA			
Finish	Clear Anodised			
Polypropylene	94P			
Standard lengths	2032mm	3048mm	4064mm	6096mm
	6'8"	10'	13'4"	20'

<b>Accessories:</b>				
Flush Pulls	401			
Door Stop	180DS			
Flush Bolts	456			

Flush bolts and flush pulls are available in (PVDB) PVD Brass, (SN) Satin Nickel & (PN) Polished Nickel.

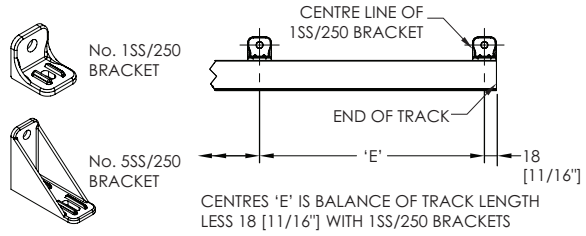




**BRACKET PLACEMENT**

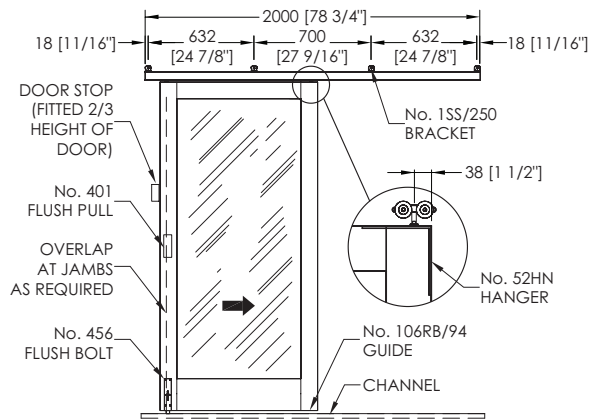
FOR HEAVY DOORS, OR THOSE SUBJECTED TO ABNORMAL USE, BRACKET CENTRES SHOULD BE REDUCED TO 500 [19 11/16"]

STANDARD TRACK LENGTH	2000 [78 3/4"]	3000 [118 1/8"]	4000 [157 1/2"]	6000 [236 1/4"]
NORMAL BRACKET CENTRES	650-700 [25 9/16"-27 9/16"]	750 [29 1/2"]	800 [31 1/2"]	750 [29 1/2"]



**HARDWARE PLACEMENT**

FRONT VIEW (DOOR SLIDING INSIDE)



**GUIDE SYSTEMS WITH CHANNEL**

