

Application

Brio's Open Square Rail Timber is an ideal internal system for residential and commercial applications of timber panels with exposed hangers and rail.

Open Square Rail Timber 150 hangers are 304 stainless steel with precision bearings.

Panel Specification

Track System:

For Individual Panels:

Max Panel Height
Max Panel Width
Max Panel Weight
Panel Thickness

Open Square Rail Timber 150

3000mm	9' 10"
2000mm	6' 6"
150kg	330lbs
35-44mm	1 3/8" - 1 3/4"

Standard Packs

Packs include 2 hangers, doorstops, guide, handle, brackets and fixings

Pack No.

OST150
OST150 PR

Finishes

Stainless Steel
PVD Black

Hardware Specification

Track:

Material
Standard lengths

150SR				
Stainless Steel				
2000mm	2500mm	3000mm	4000mm	
6' 6"	8' 2"	9' 10"	13' 1"	
Stainless Steel and PVD Black (except 4000mm, 13' 1")				

Guides:

Stainless precision bearing

106E/94

Channels:

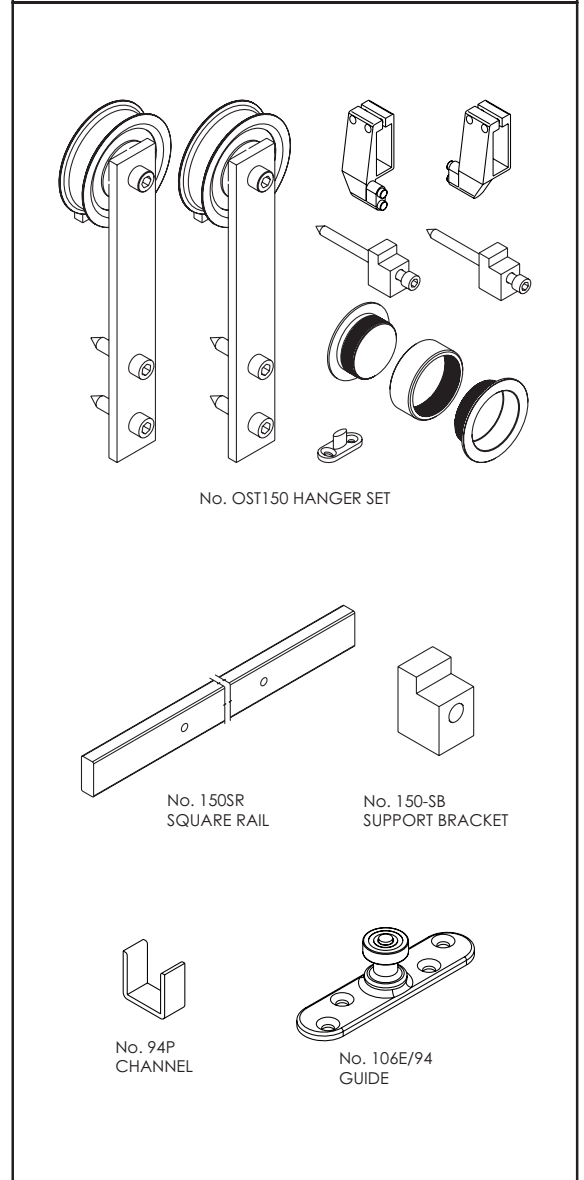
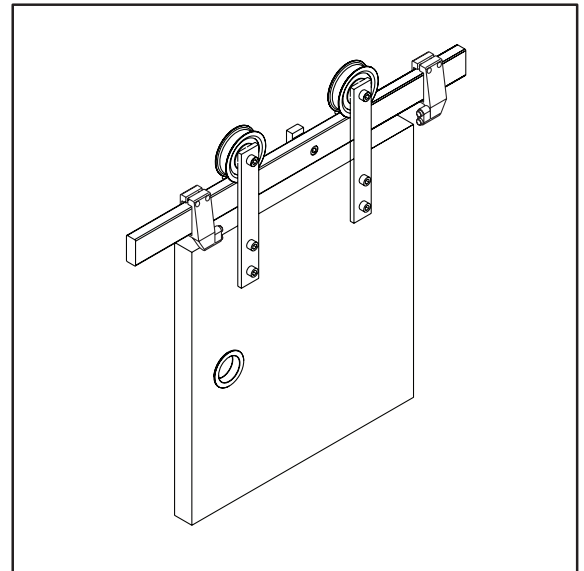
Polypropylene
Aluminium
Finish
Standard lengths

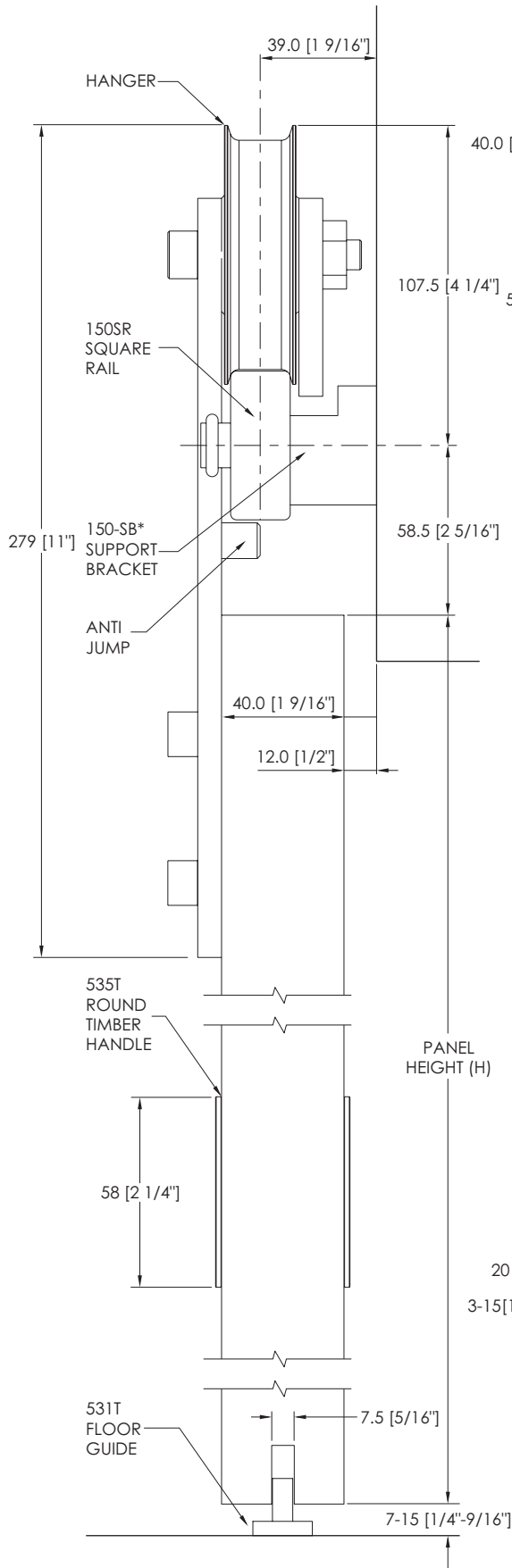
94P Black				
94PPA Aluminium Support & Polypropylene				
Clear Anodised				
2032mm	3048mm	4064mm	6096mm	
6' 8"	10'	13' 4"	20'	

Support Bracket:

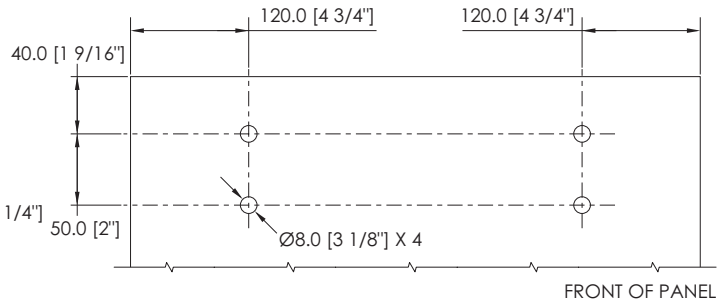
Support bracket

150-SB or 150-SBPR

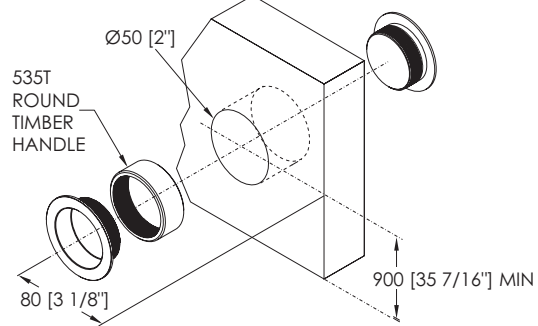




DOOR PREPARATION

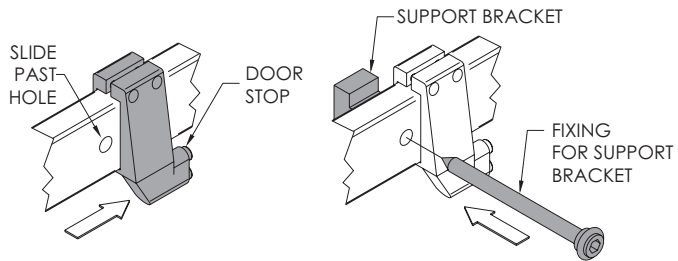


ROUND TIMBER HANDLE

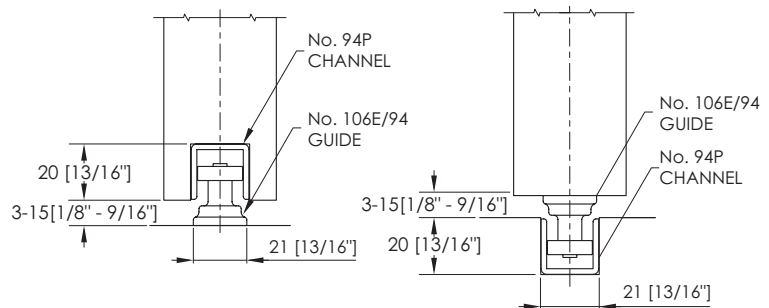


DOOR STOP

SLIDE ON DOOR STOP BEFORE FITTING SUPPORT BRACKET



OPTIONAL GUIDES



RAIL LENGTH	*ADDITIONAL 150-SB REQUIRED
2500 [98 7/16"]	1
3000 [118 1/8"]	2
4000 [157 1/2"]	4