

Application

Brio's Open Round Rail Glass is an ideal internal system for residential and commercial applications of toughened glass panels with exposed hangers and rail.

Open Round Rail Glass 100 hangers are 304 stainless steel with precision bearings.

Panel Specification

Track System:

For Individual Panels:

Max Panel Height
Max Panel Width
Max Panel Weight
Panel Thickness

Open Round Rail Timber 100

3000mm 9'10"
2000mm 6'6"
100kg 220lbs
8-12mm 5/16" - 1/2"

Standard Packs

Packs include 2 hangers, doorstops, guide, handle, brackets and fixings.

Pack No.

ORG100
ORG100PR

Finishes

Stainless Steel
PVD Black

Hardware Specification

Track:

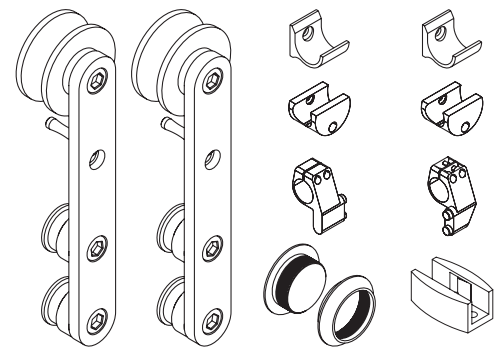
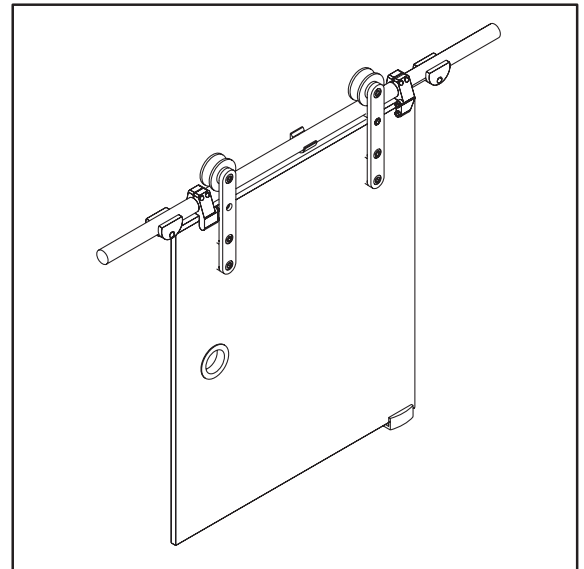
Material
Standard lengths

100OR
Stainless Steel
2000mm 2500mm 3000mm 4000mm
6'6" 8'2" 9'10" 13'1"
Finishes
Stainless Steel and PVD Black
(except 4000mm, 13'1")

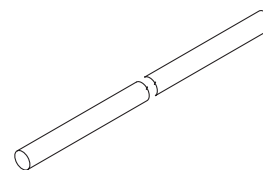
Support Bracket:

Support bracket

100-RB or 100-RBPR



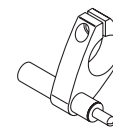
No. ORG100 HANGER SET



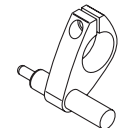
No. 100OR
ROUND RAIL



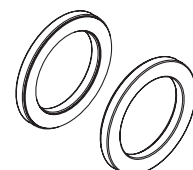
No. 100-RB
SUPPORT BRACKET



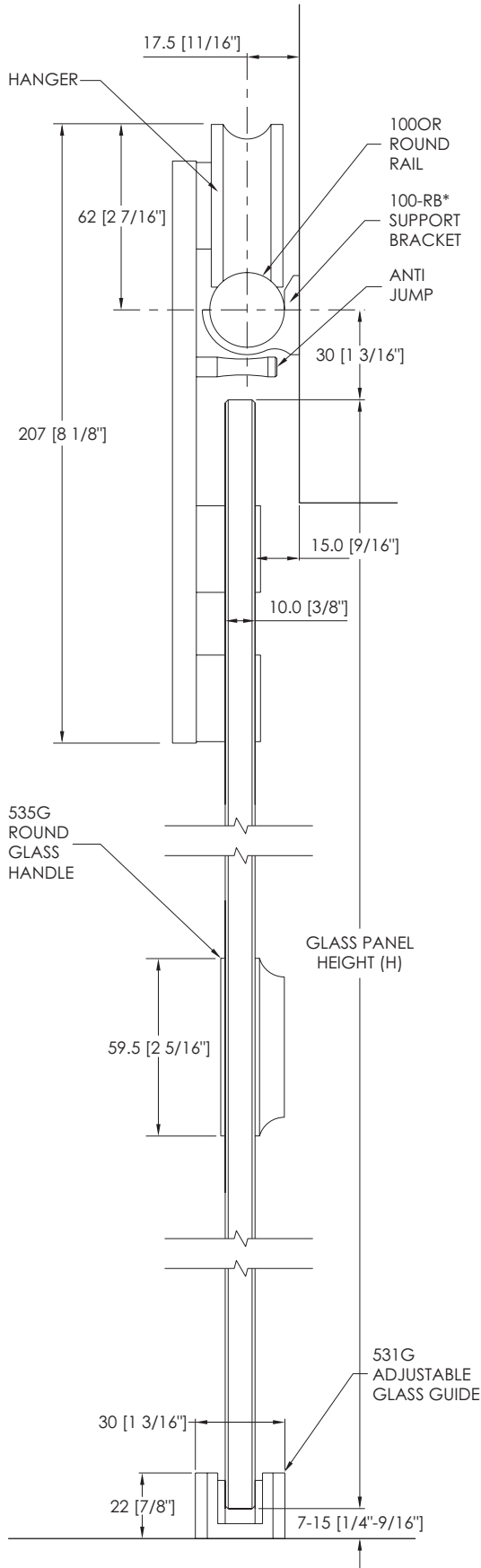
No. 100-LS
SOFT STOP LEFT



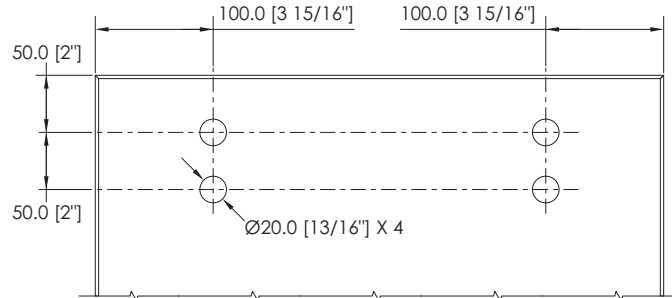
No. 100-RS
SOFT STOP RIGHT



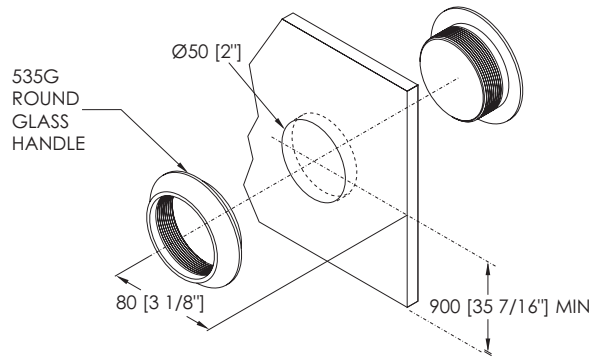
No. 535A STAINLESS STEEL
ADHESIVE HANDLE (PAIR)



GLASS PREPARATION

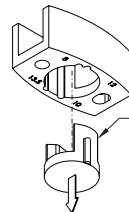


ROUND GLASS HANDLE



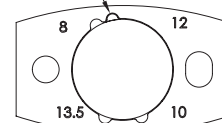
ADJUSTABLE GLASS GUIDE

CAN BE ADJUSTED TO SUIT 8 [5/16\"/>



REMOVE PLASTIC LINER TO ADJUST

LINE UP PIP TO GLASS THICKNESS REQUIRED THEN INSERT



* 13.5 [1/2\"/>

GLASS PANEL SIZES

PANEL THICKNESS	MAX AREA	MAX HEIGHT	MAX WIDTH *
8 [5/16\"/>	5m ² [196 7/8\"/>	3000 [118 1/8\"/>	1700 [66 15/16\"/>
10 [3/8\"/>	4m ² [157 1/2\"/>	3000 [118 1/8\"/>	1300 [51 3/16\"/>
12 [1/2\"/>	3.3m ² [129 15/16\"/>	3000 [118 1/8\"/>	1100 [3 15/16\"/>

* MAX WIDTH INCREASE AS HEIGHT INCREASES

RAIL LENGTH	*ADDITIONAL 100-RB REQUIRED
2500 [98 7/16\"/>	1
3000 [118 1/8\"/>	2
4000 [157 1/2\"/>	4