

Brio 99HSA Self Draining Sill

INST99HSA1 REV B - MAY 2015

Brio Australia
 P: +61 2 87186718
 W: brio.com.au
 E: sales@brio.com.au

Brio UK
 P: +44 191 2291224
 W: briouk.com
 E: sales@briouk.com

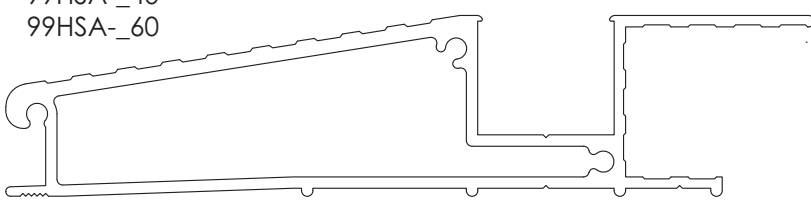
Brio USA
 P: +1 585 3195599
 W: briousa.com
 E: sales@briousa.com

Required Hardware anodizing color not specified

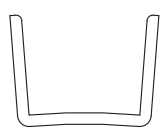
Available kits:

- 99HSA-_20
- 99HSA-_30
- 99HSA-_40
- 99HSA-_60

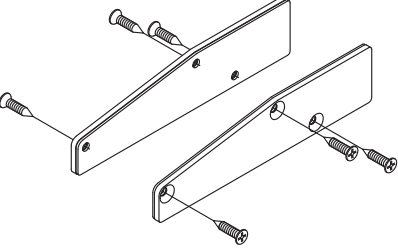
99HSA Aluminum Extrusion
 2, 3, 4 and 6m lengths supplied



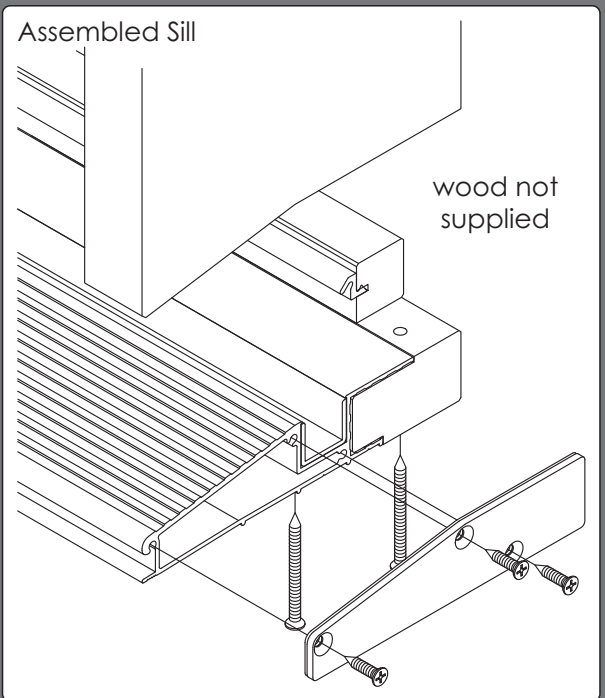
98P Polypropylene Channel
 2, 3, 4, and 6m lengths supplied



99EC End Caps
 1 set supplied per kit



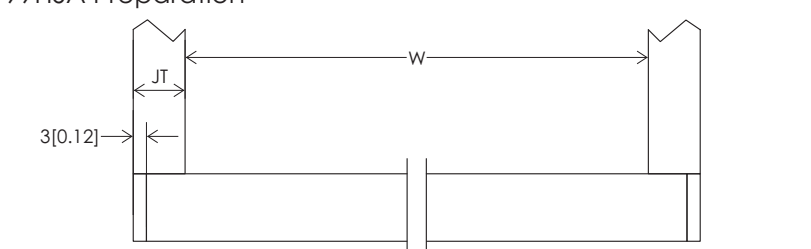
Assembled Sill



wood not supplied

Preparing Wood Saddle and Rebate dimensions in mm[inches]

99HSA Preparation

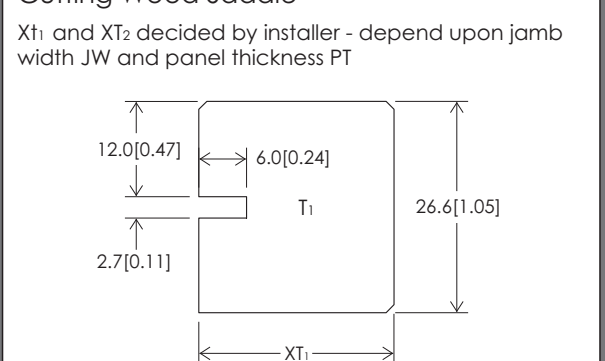


Cut 99HSA & 98P to length = $W+2(JT)-6[0.24]$

W = Opening width between jambs
 JT = Jamb Thickness

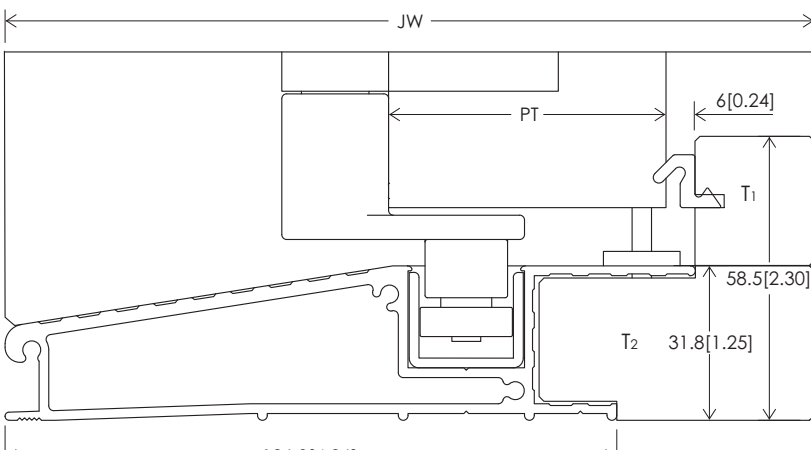
Cutting Wood Saddle

Xt1 and XT2 decided by installer - depend upon jamb width JW and panel thickness PT



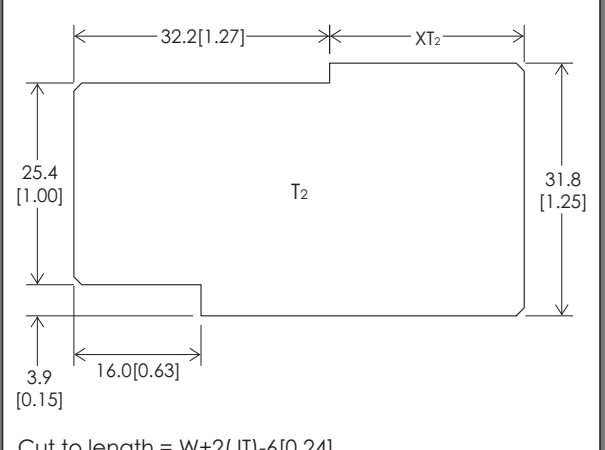
Cut to length = W

System Details



Cut to length = $W+2(JT)-6[0.24]$

JW = Jamb Width
 PT = Panel Thickness

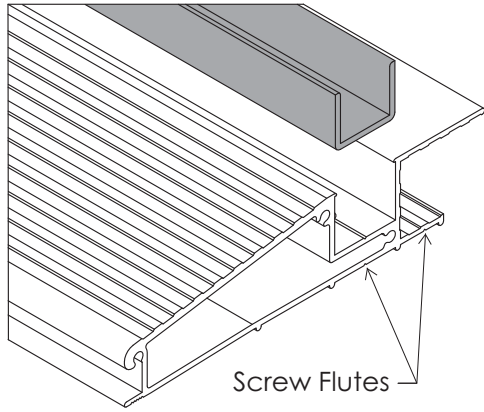


Cut to length = $W+2(JT)-6[0.24]$

Seal AQ21 can be purchased from Brio for the full perimeter seal

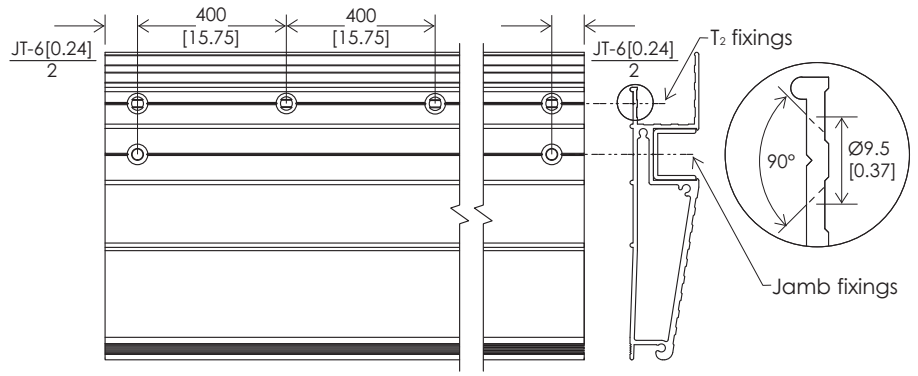
Preparing Sill Base

Insert 98P into 99HSA

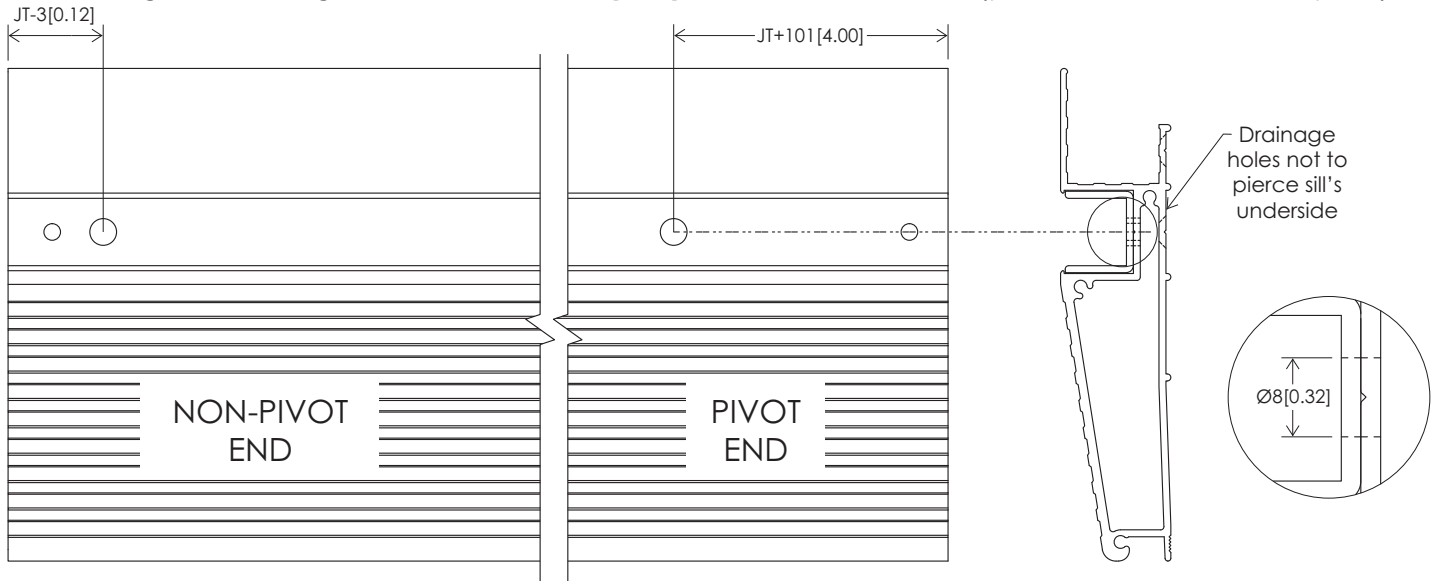


Drill hole $\text{Ø}9.5[0.37] \times 90^\circ$ at either end of sill for jamb fixings.

Fixing holes for wood T₂ placed at 400[15.75] intervals ($\text{Ø}9.5[0.37] \times 90^\circ$)

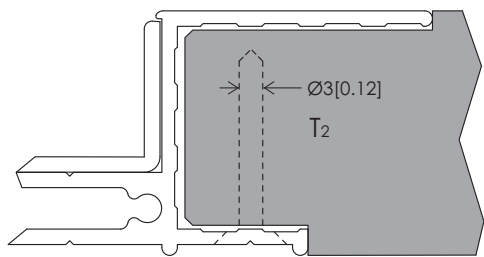


Drill drainage hole through 98P and 99HSA $\text{Ø}8[0.32]$ at either end of the sill (position to avoid bottom pivot)



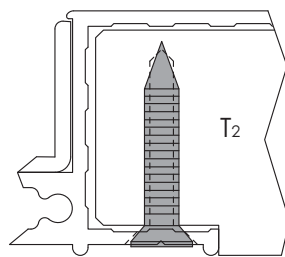
Assembling Sill use construction adhesives and sealants where recommended

Apply adhesive to 99HSA's grooves and attach wood T₂



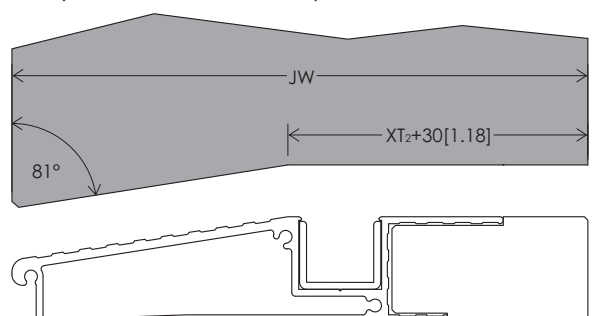
Drill $\text{Ø}3[0.12]$ to match fixing holes

Screw fix wood T₂ to 99HSA



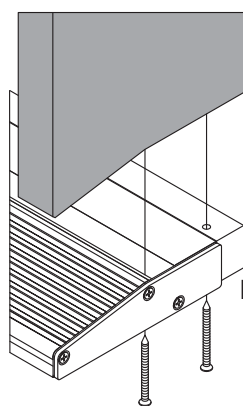
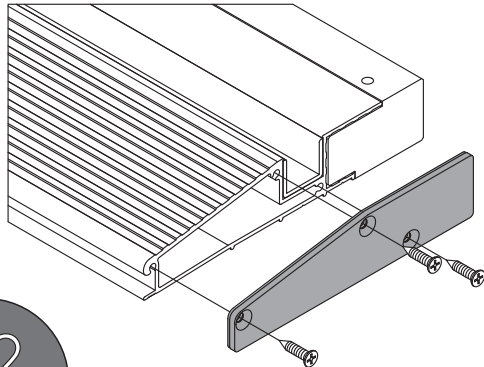
8G x 19[0.75] Screws

Shape Jamb to match profile of 99HSA



Drill $\text{Ø}3[0.12]$ to match jamb fixing holes

Attach 99EC - screws supplied



Attach jamb to sill - apply sealant to screw heads

Frame can then be fixed to opening on-site

Wood T₁ pinned in place last

