

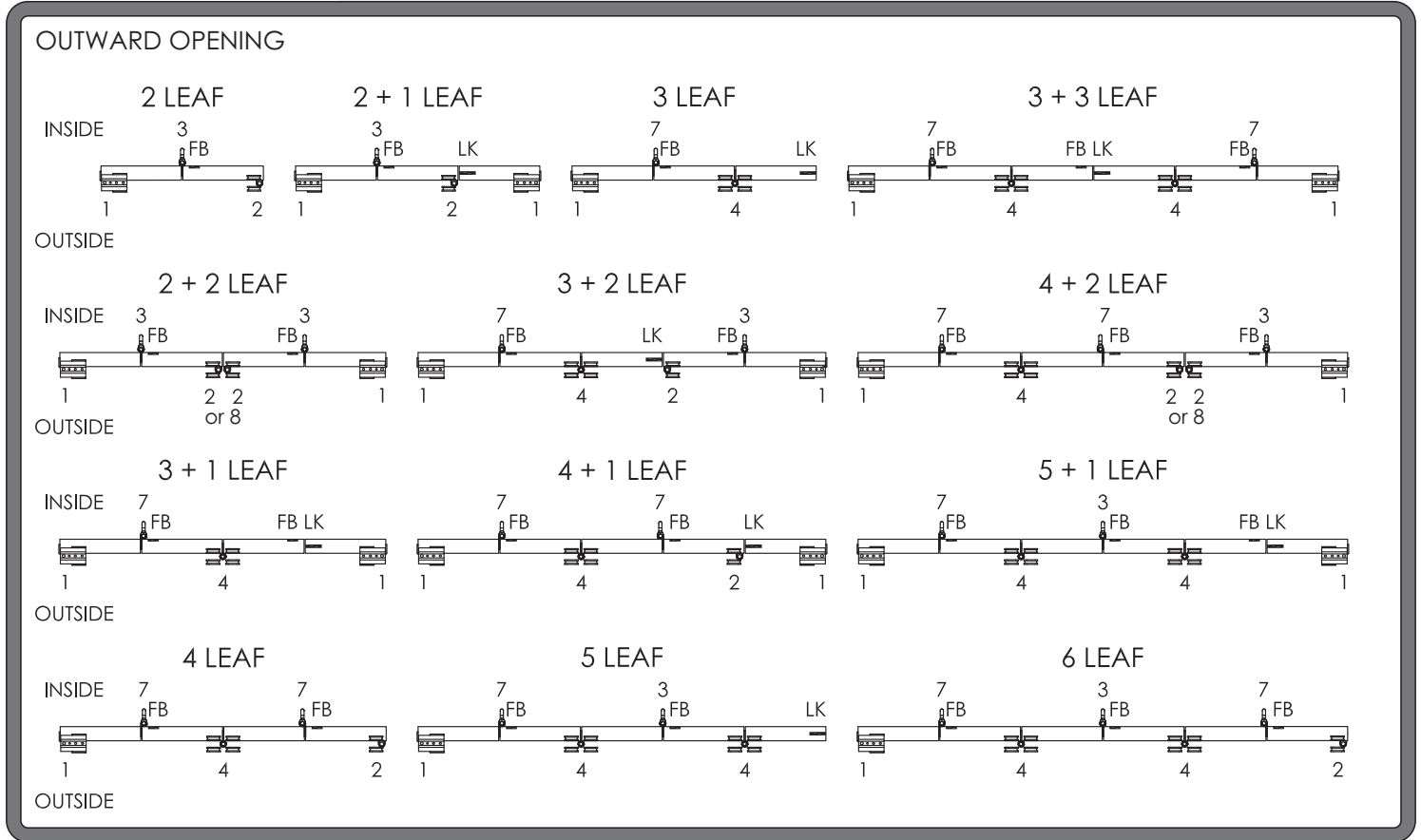
Brio 599R Heavy Duty Flush Bolt

Brio Australia
 P: +61 2 8718 6718
 W: brio.com.au
 E: sales@brio.com.au

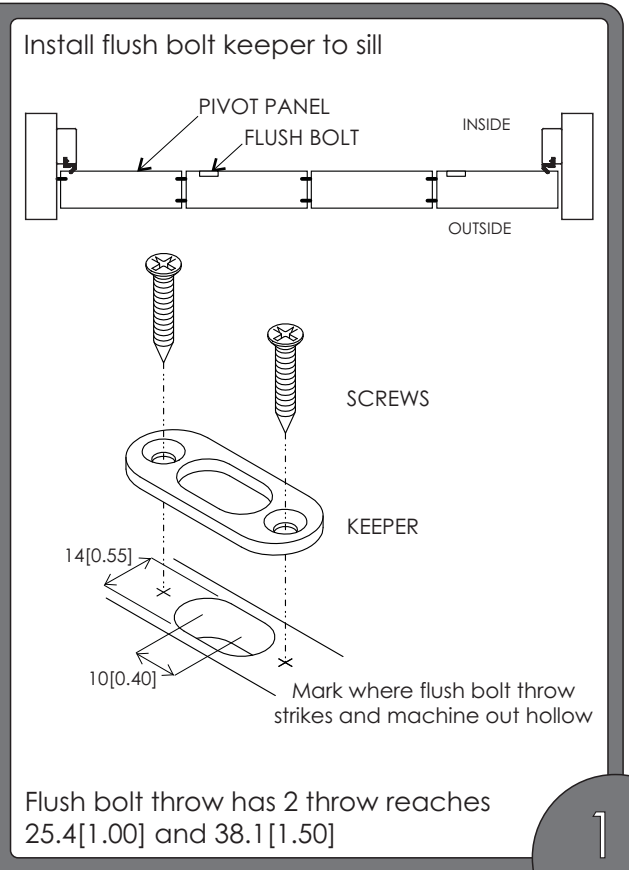
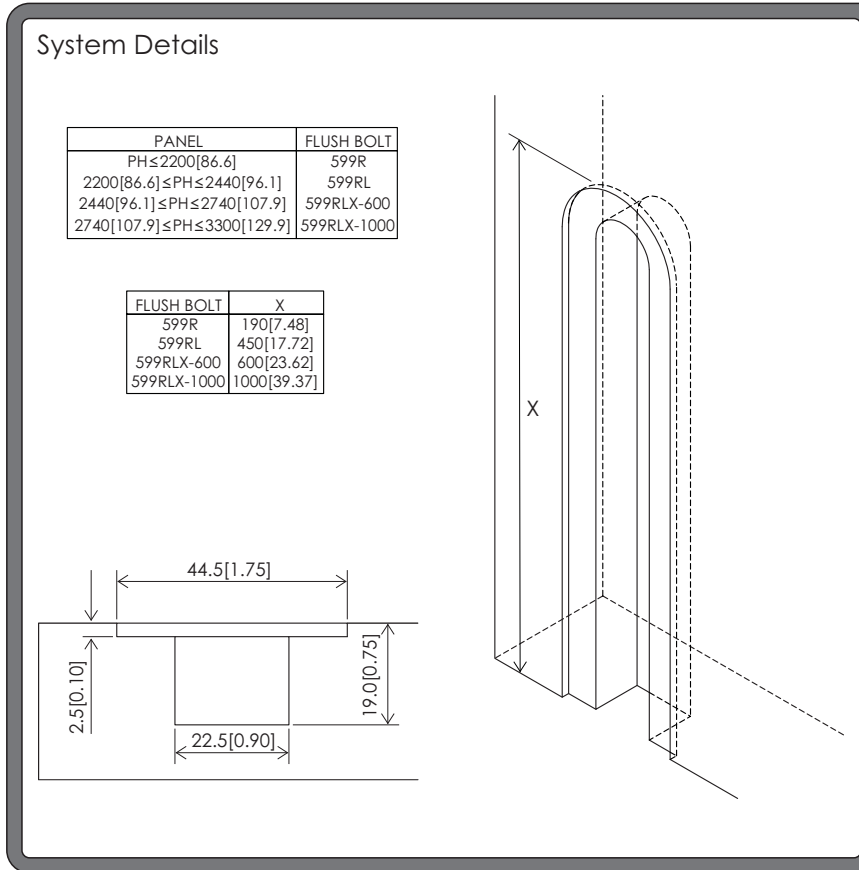
Brio UK
 P: +44 191 2291224
 W: briouk.com
 E: sales@briouk.com

Brio USA
 P: +1 585 319 5599
 W: briousa.com
 E: sales@briousa.com

Door Hardware Set Orientation FB = Flush Bolt, FP = Flush Pull, LK = Lock, left systems shown

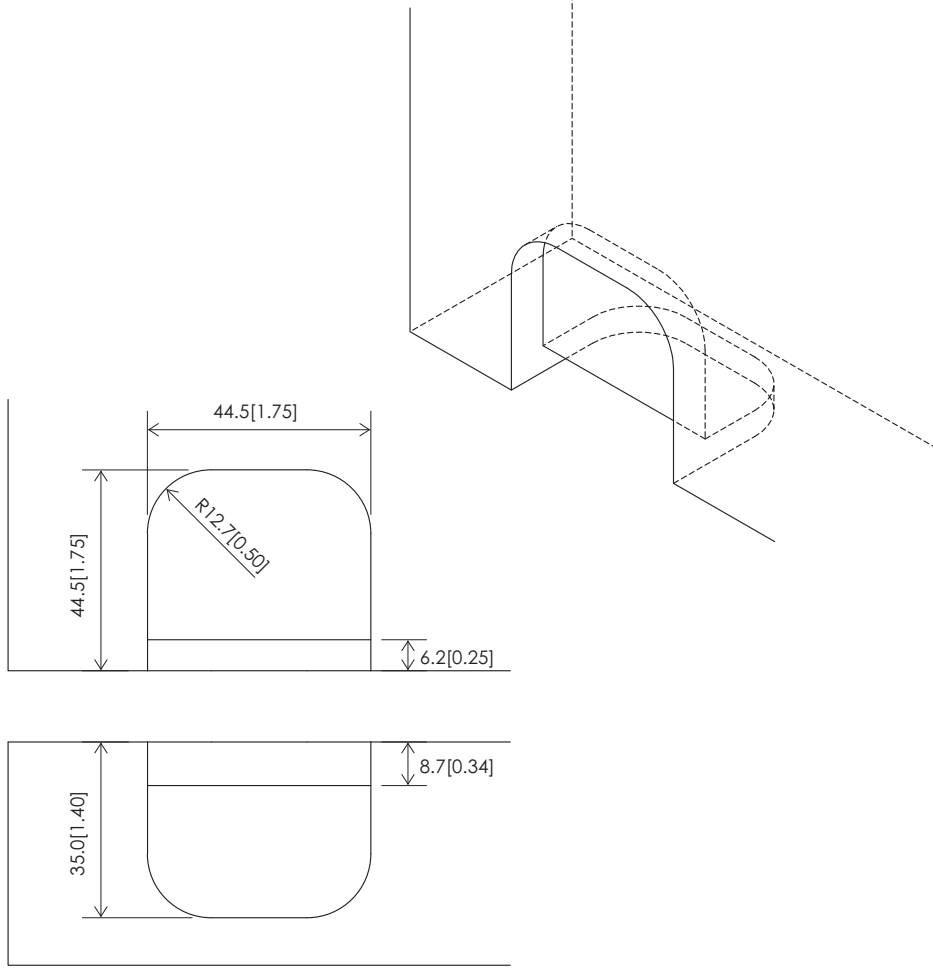


Flush Bolt Position dimensions shown in mm[inches]

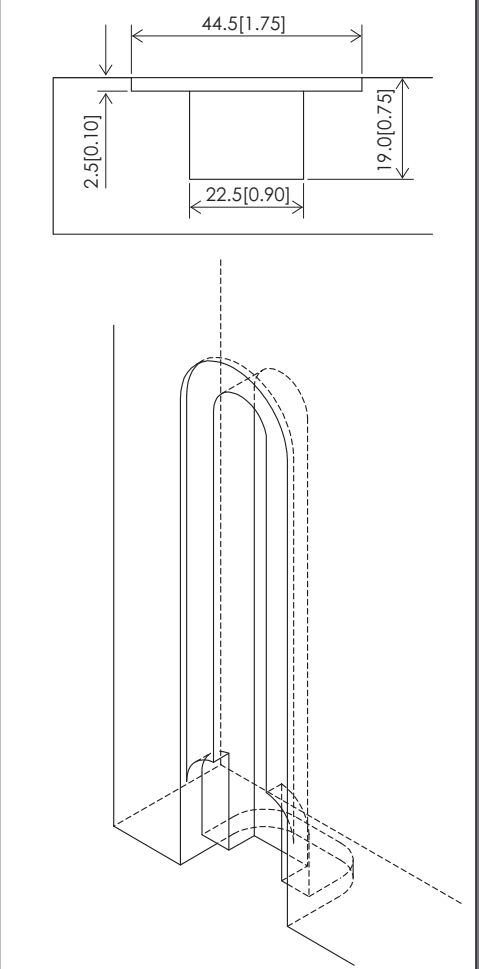


If Using Retaining Block Block supplied separately as 599RB

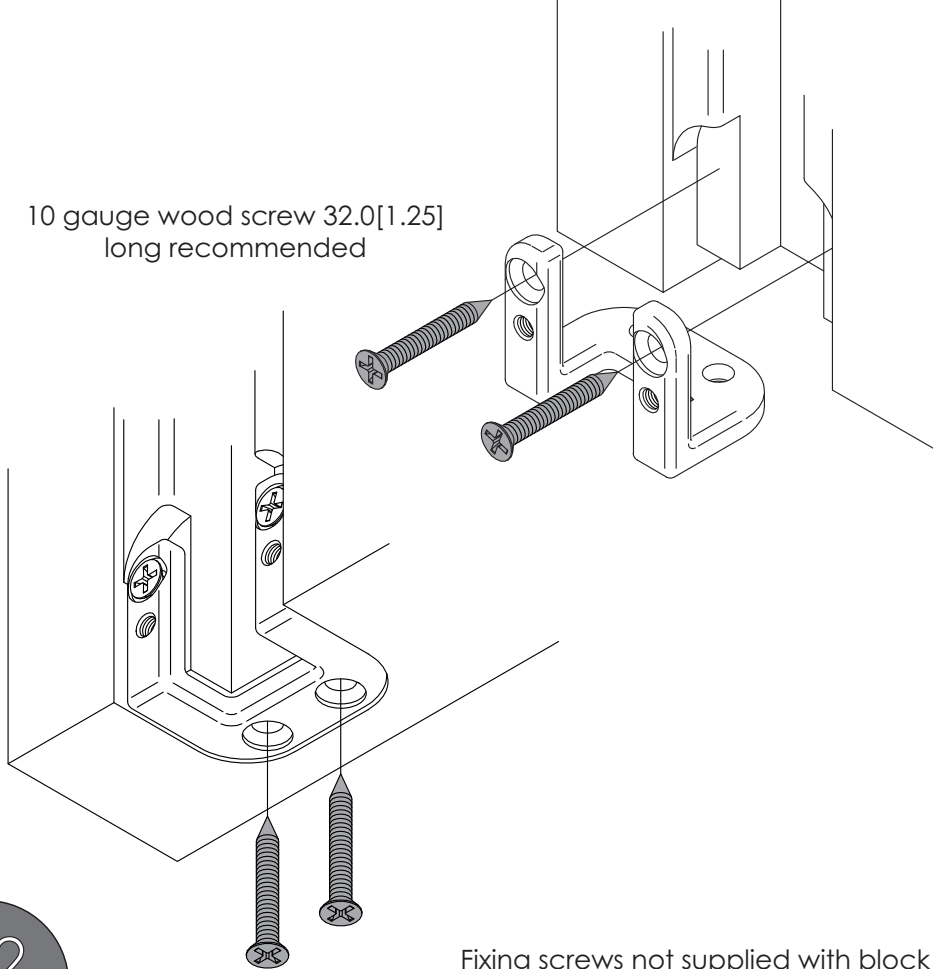
Route out shape for retaining block



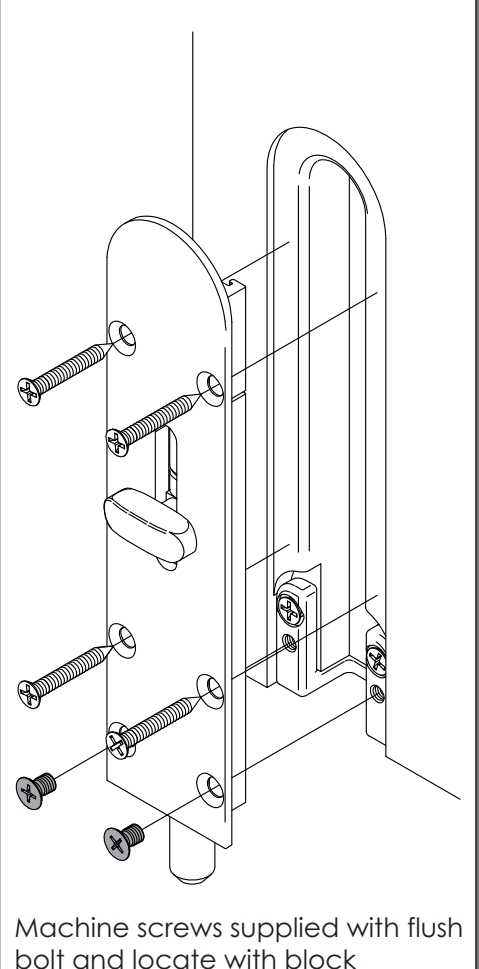
Route out shape for flush bolt



Screw retaining block to panel



Install flush bolt and fix into position



Fixing screws not supplied with block

Machine screws supplied with flush bolt and locate with block